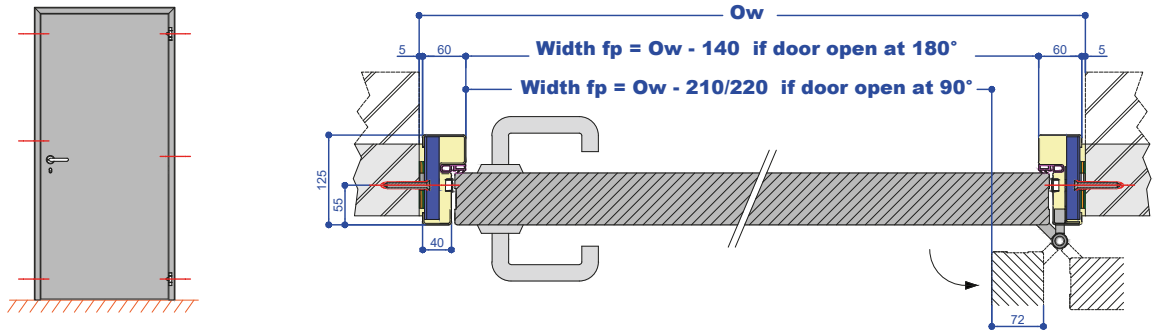


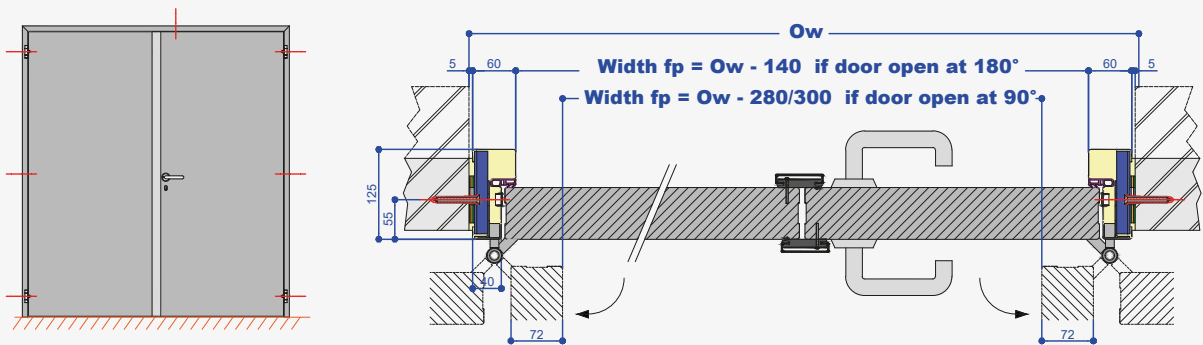
# HINGED DOORS CROSS-SECTIONS AND DIMENSIONS

DOHE 104 - Wall and doorleaf dimensions, free passage calculation and glazing sizes  
- Bolted installation

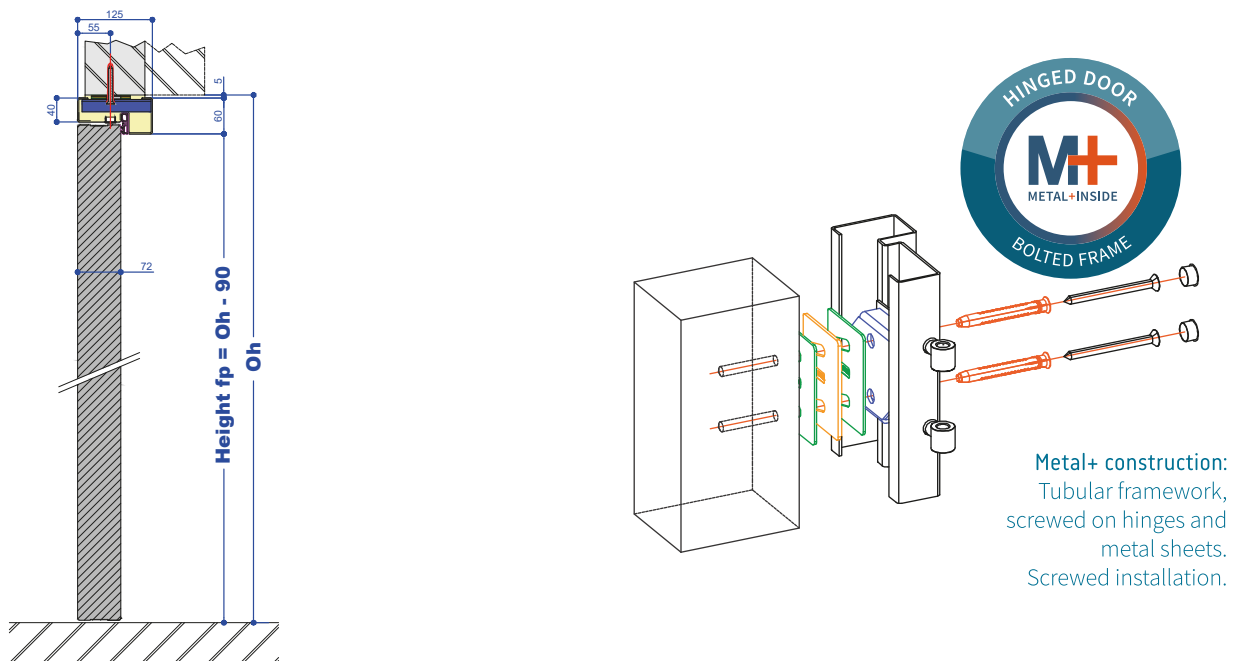
## WIDTH FREE PASSAGE: SINGLE DOOR (with fixed frame of 125 mm or 140 mm)



## WIDTH FREE PASSAGE: DOUBLE DOOR (with fixed frame of 125 mm or 140 mm)

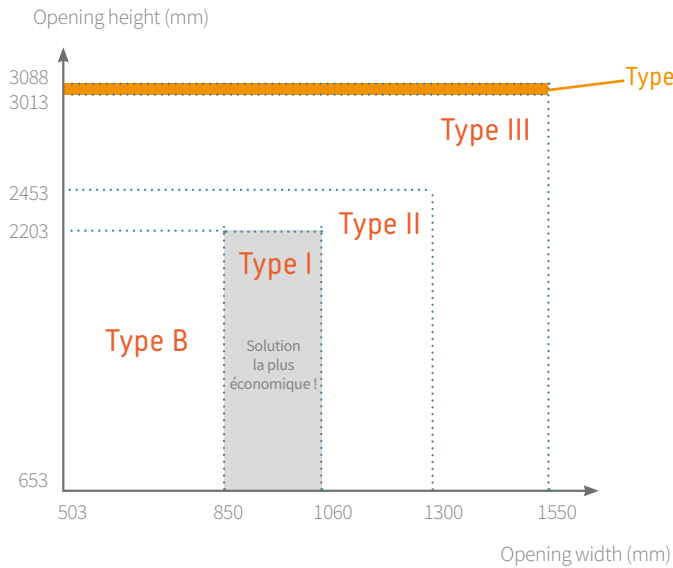


## HEIGHT FREE PASSAGE: SINGLE & DOUBLE DOORS (with fixed frame of 125 mm or 140 mm)

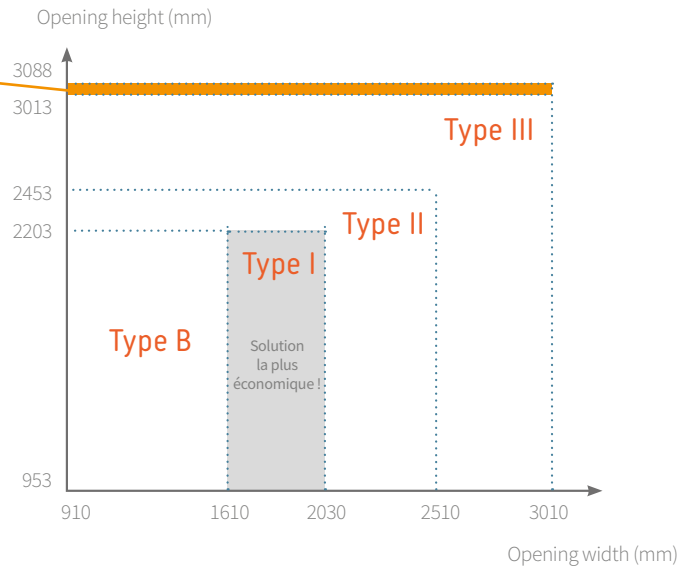


## WALL OPENING DIMENSION *(always tailormade)*

### Single door



### Double door



NOTE: The dimension area Type I is always the most economical solution!

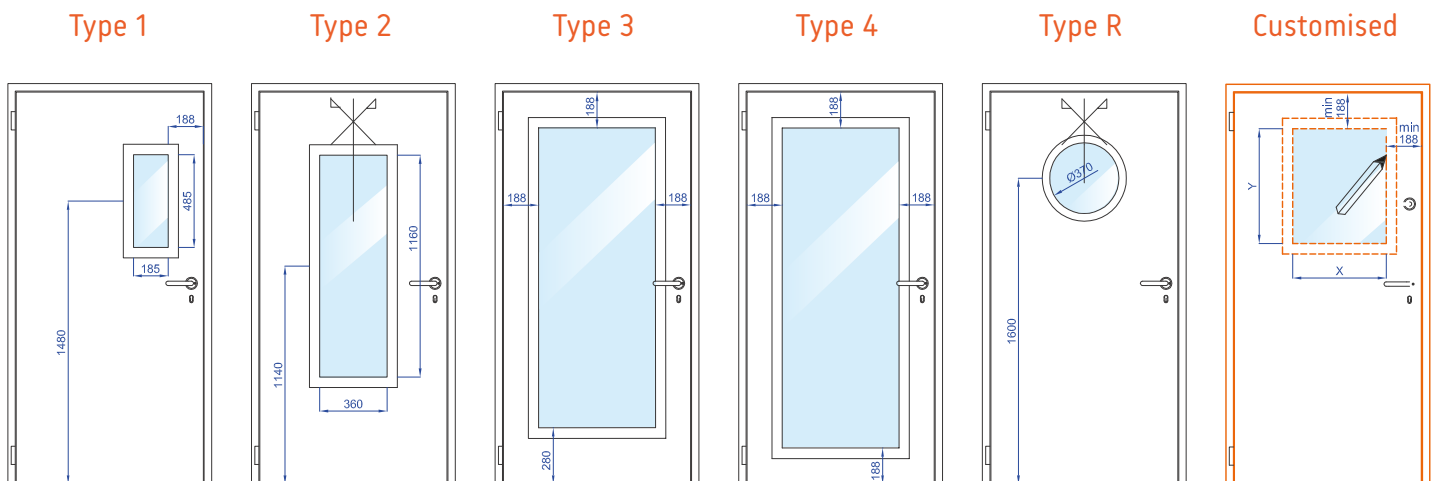
## DOOR LEAF DIMENSION *(always tailormade)*

Maximum size door leaf Type I: 960 x 2150 mm  
 Maximum size door leaf Type II: 1200 x 2400 mm  
 Maximum size door leaf Type III: 1450 x 2960 mm  
 Maximum size door leaf Type III.3: 1450 x 3035 mm

The maximum size of a door set depends on its performance features and design (e.g. glazed or ventilated, ...). Contact us or consult our technical data sheets to obtain these dimensions.

## HEINEN GLAZING RANGE *(standard and custom dimensions)*

The maximum size of the glazing depends on the performance features of the door.  
 Contact us or consult our technical data sheets to obtain these dimensions.



NOTE: In case of a «Customised» glazing order, you may specify both the size and positioning of the glazing.

[www.heinen-doors.com](http://www.heinen-doors.com)