

Installation guide



Installation and adjustment

MPHE 0100 : METAL+ | SWING DOOR |

SCREWED INSTALLATION

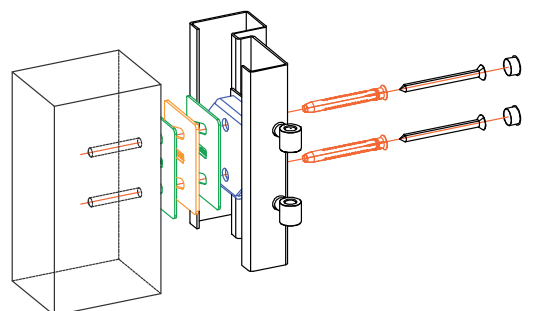


TABLE OF CONTENTS

CAPTIONS 4

PRECAUTIONS 5

INSTALLATION: FITTED IN TUNNEL

Preparing the frame 6
Installing the leaf 9

ADJUSTING THE LEAF ONCE THE MORTAR

HAS SET

Hinges 13
Striker plates 15
Rods 16
Ground sockets 17

FITTINGS INSTALLATION

Cylinder 18
Door handles 19
Anti-panic bar 20
Door closer 20
Closure selector 21

FINAL CHECK AND FINISHING

Tightening the screws 22

HEINEN WARRANTY 23

CAPTIONS



HORIZONTAL STRAIGHTENING



CLEAN SURFACE



INSPECTION



VERTICAL STRAIGHTENING



PROCEED WITH CARE



PRECAUTIONS



PROCEDURAL SEQUENCE

PRECAUTIONS

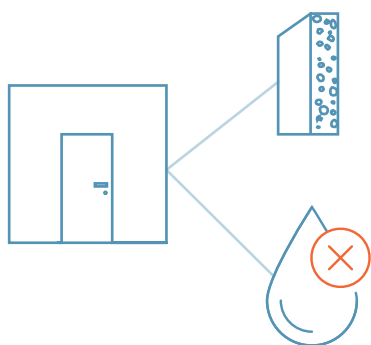


STORAGE PRECAUTIONS

Store all doors, including exterior doors, away from the elements and moisture prior to installation.

Do not expose the blue protective film covering the leaf to the sun.

Poor storage conditions can affect the adhesion of the protective film, making it difficult to remove.

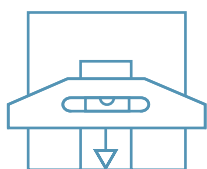


CONSTRUCTION MEDIUM

Thickness (min. 100 mm), density and resistance vary according to the performance of the door set and must comply with the relevant certificates.

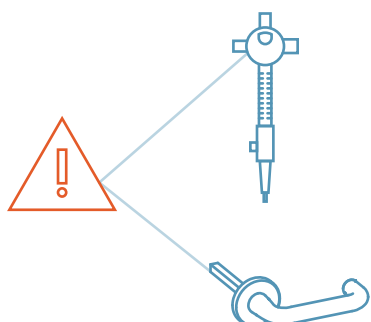
CORROSION PRECAUTIONS

The wall must be completely dry.



MARKING THE FINISHED FLOOR

- With a rough floor: ensure that the finished floor level is clearly marked.
- With a finished floor: check that the floor beneath the leaf and the entire area that the door sweeps when opened is horizontal.



INSTALLATION PRECAUTIONS

Always keep at hand an accessory to allow you to open the door during installation.

Do not use the master key in combination with the Abloy EL520 lock.

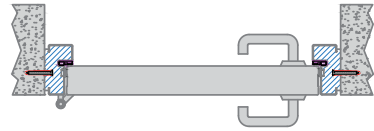


PRECAUTIONS FOR DOORS EXPOSED TO THE ELEMENTS

Any orifices that might be exposed to the elements must be protected with silicone sealant.

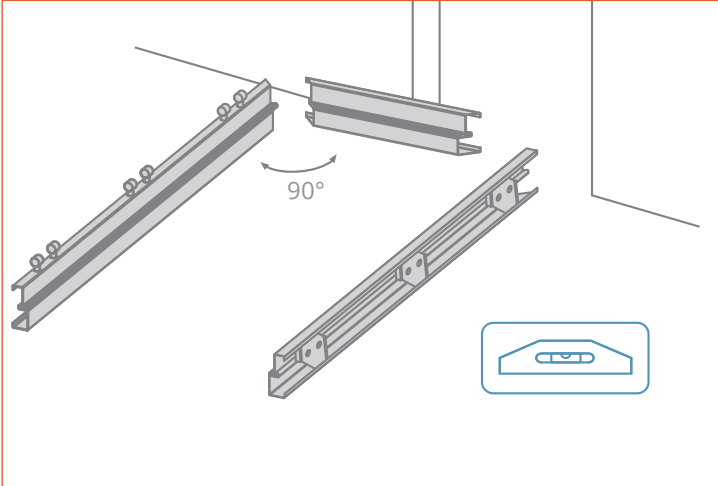
INSTALLATION: FITTED IN TUNNEL

(in the opening / flush)

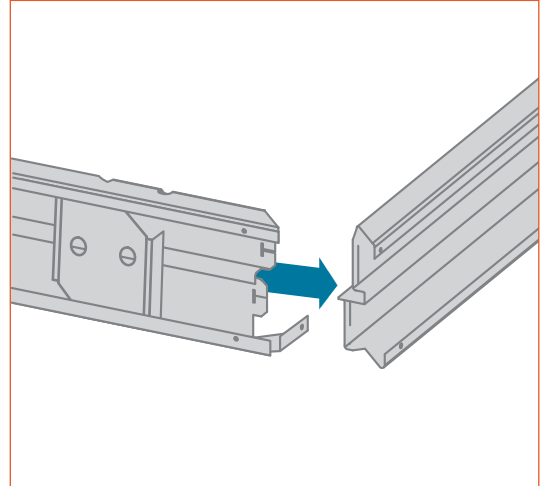


PREPARING THE FRAME

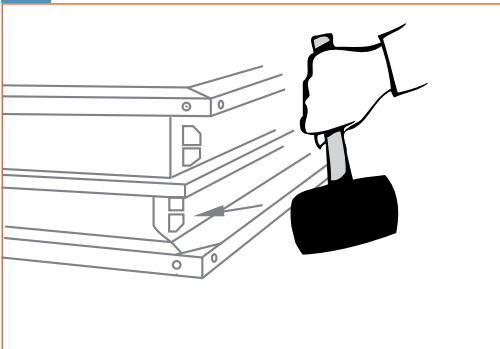
1 Place the door frame on the floor



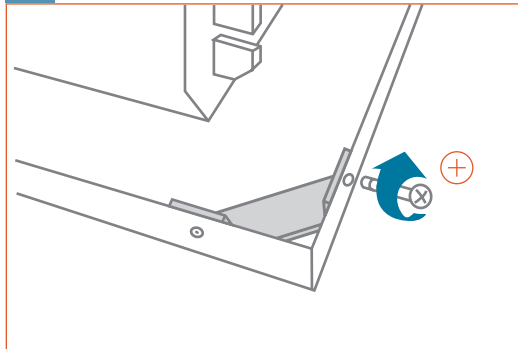
2 Assemble



3 Tighten the screws

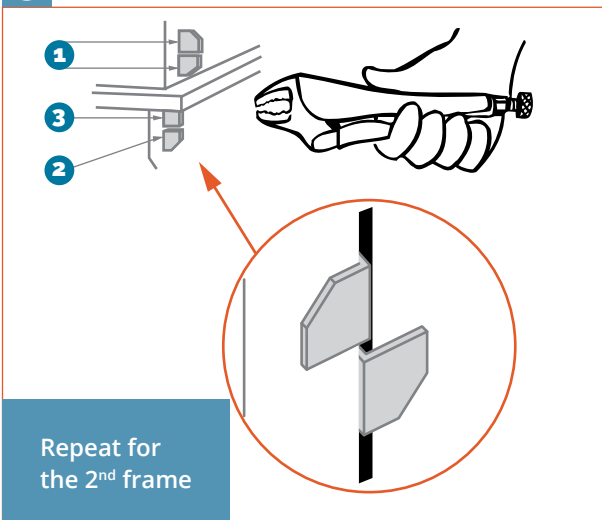


4 Attach the brackets



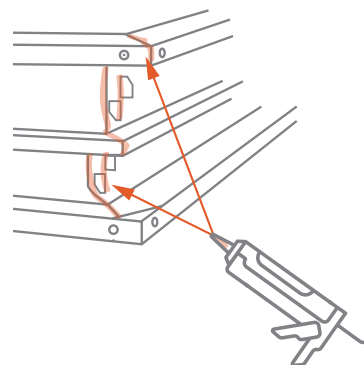
Repeat for
the 2nd frame

5 Bend the brackets

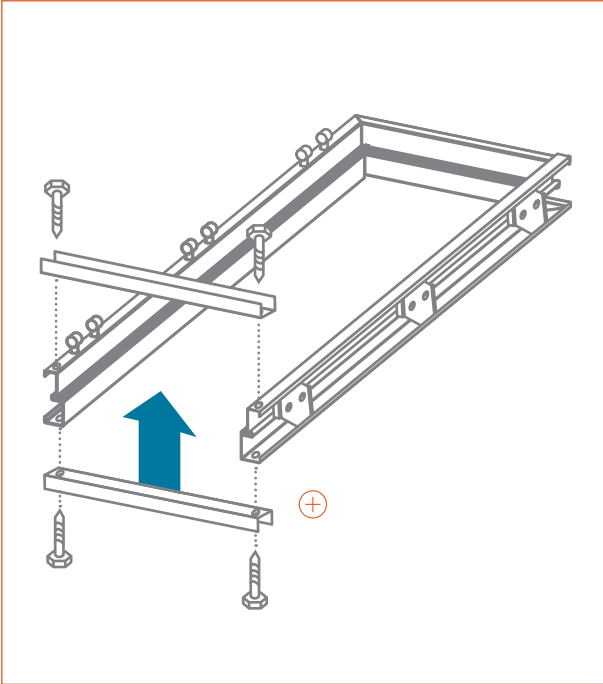


Doors exposed to the elements

All joints (interior and exterior) at the corners of the frame must be caulked with silicone sealant to prevent wet concrete from running.

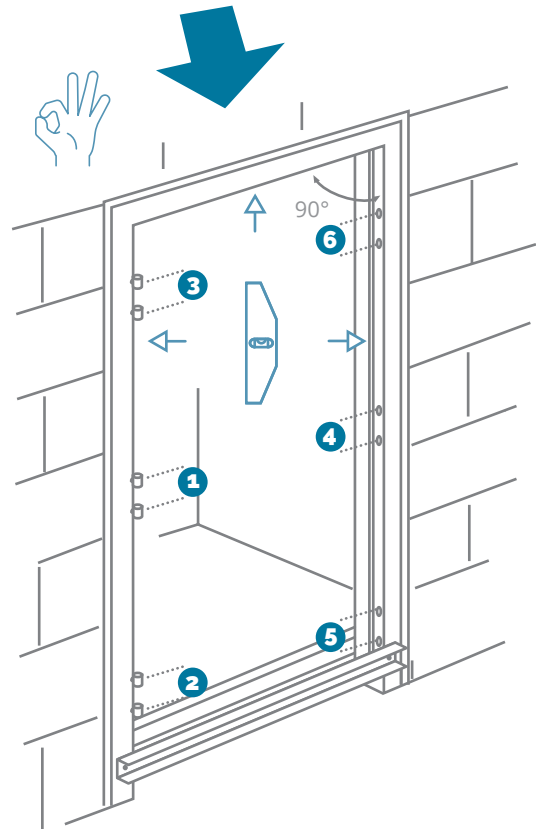


6 Attach the spacer bars on both sides



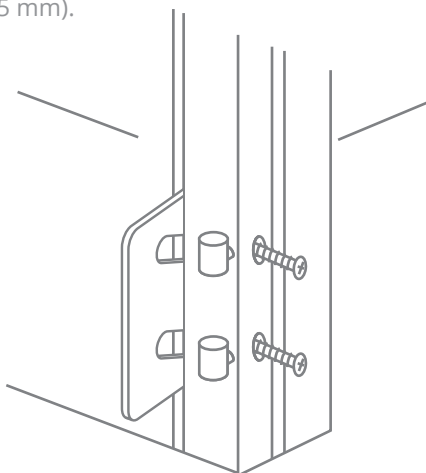
7

Position the door frame level and at the correct height from the finished floor.



8 Insert the thickness forks

Insert the appropriate thickness forks into each fixing (theoretical gap between frame and wall = 5 mm).



Green:
2mm



Orange:
3mm

Drill through the fixing holes and insert the dowels. Tighten the screws slightly and check the levels.



For fireproof, the plugs must be Hilti HRD-C 10 x 60:

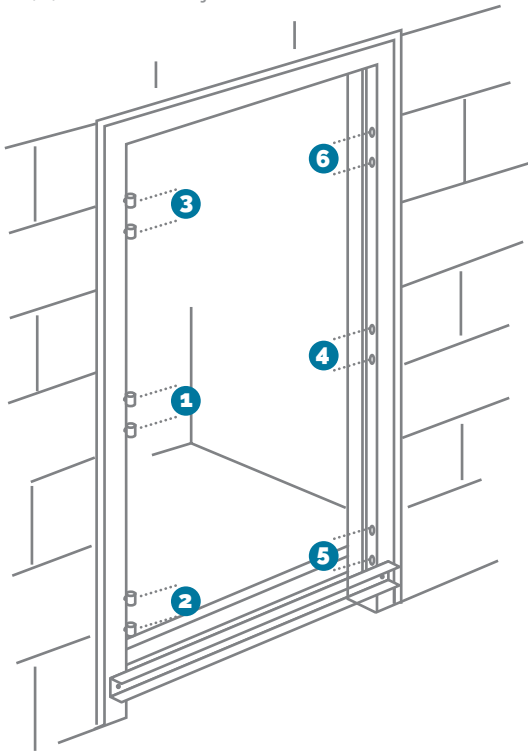
- plug diameter 10 mm
- plug length 60 mm
- screw diameter 7 mm

In non-fireproof (depending on the type of wall):

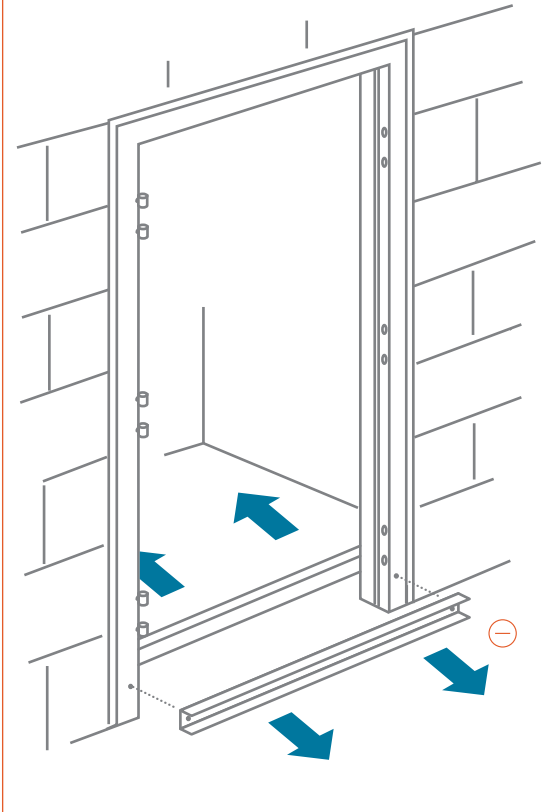
- head diameter < 17 mm
- countersunk head, Torx socket
- countersunk head for support on 12 mm diameter hole
- minimum length 60 mm

9 Tighten the screws

Fully tighten screws 1,2,3 to the side jamb on the hinge side and lightly tighten screws 4,5,6 to the side jamb on the lock side.

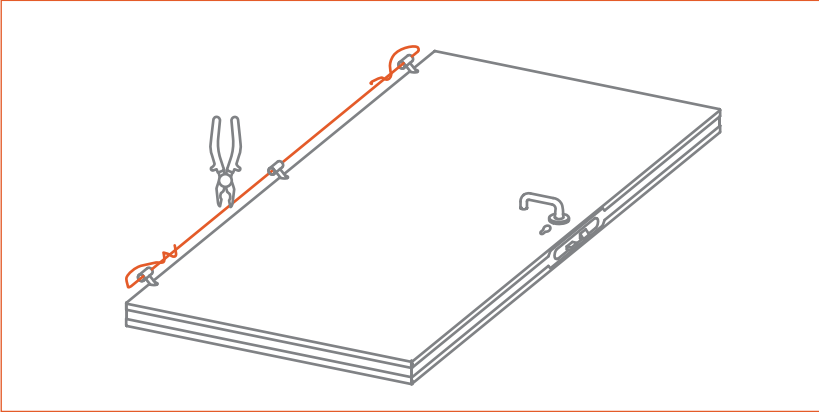


10 Remove the two spacer bars

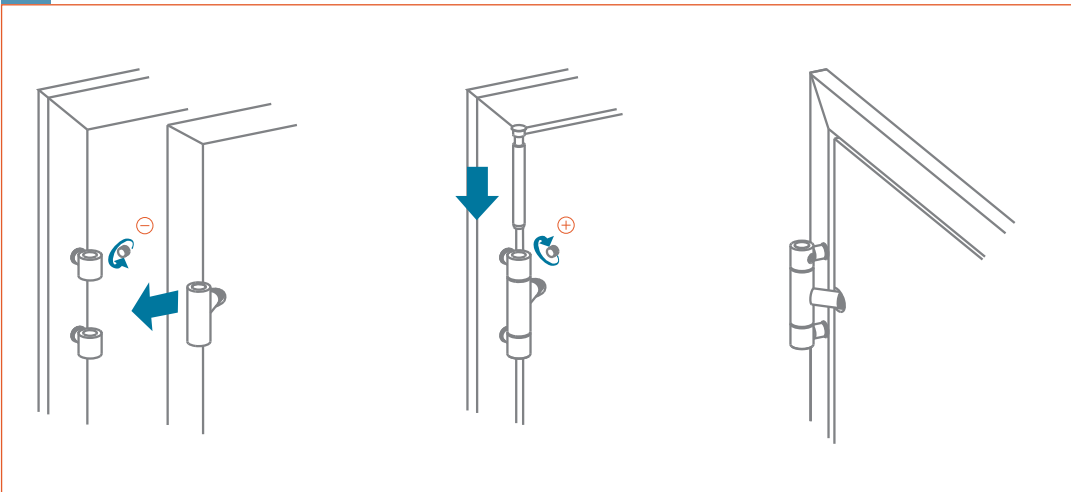


INSTALLING THE LEAF

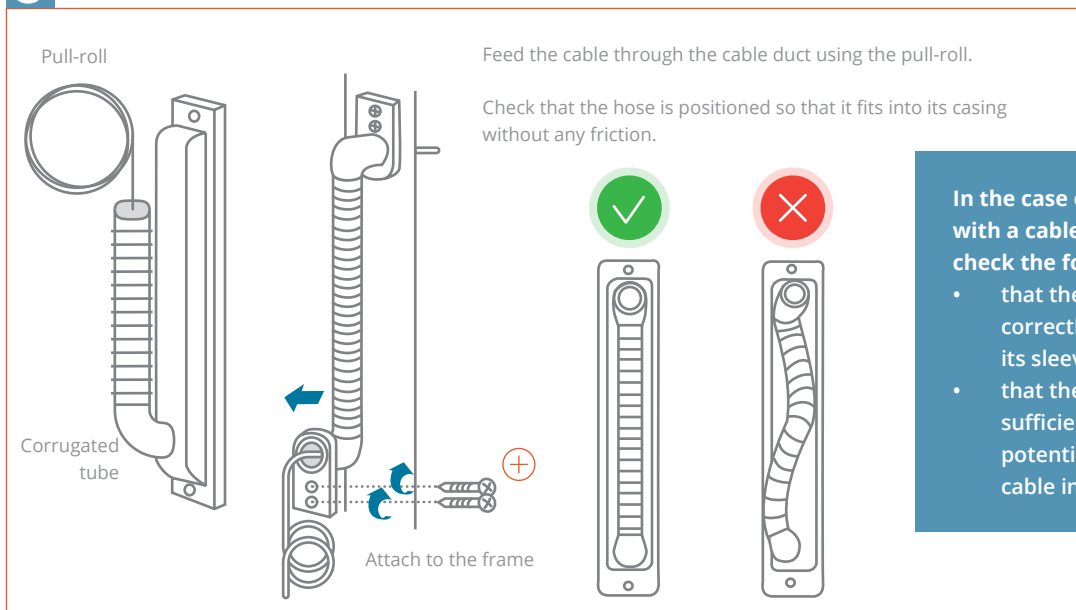
- 1** Remove the wire holding the factory-preset hinges in place



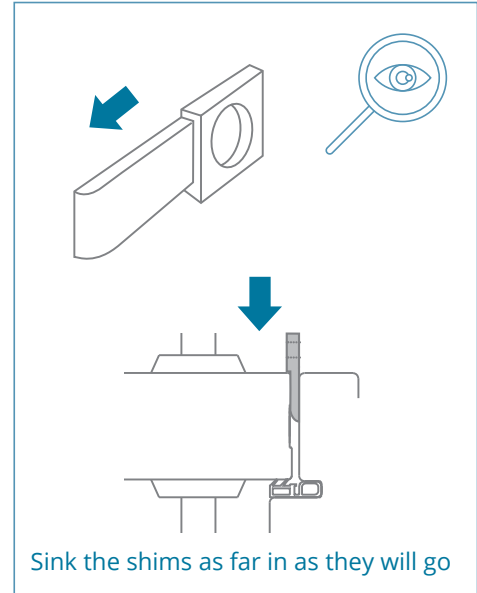
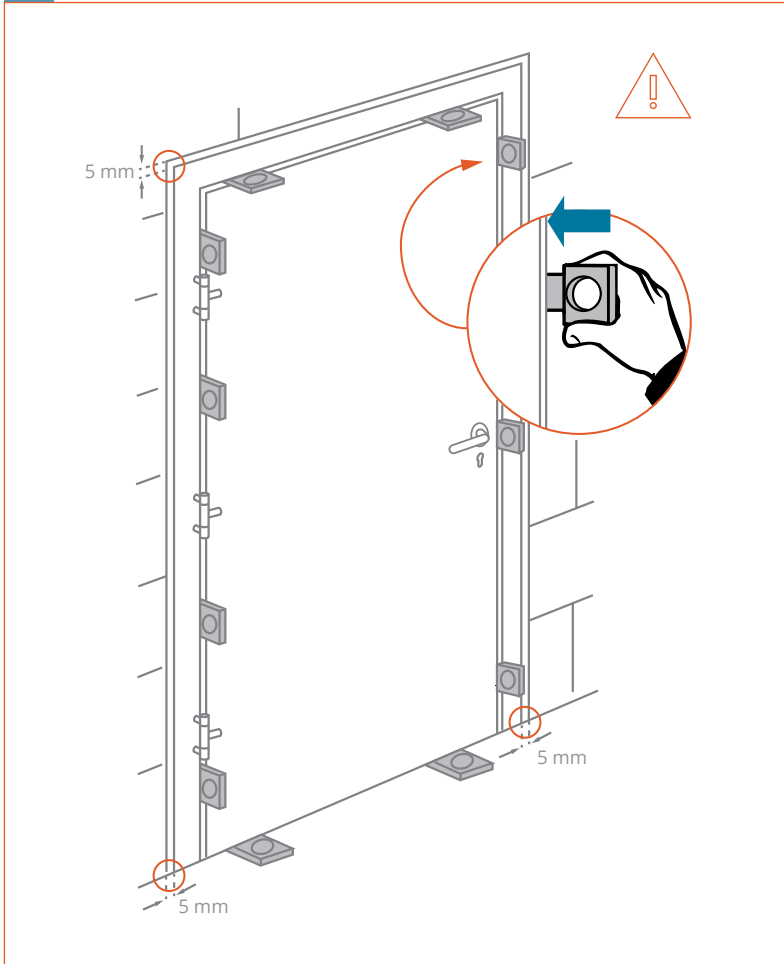
- 2** Install the leaf/leaves and tighten the hinge pin screws firmly



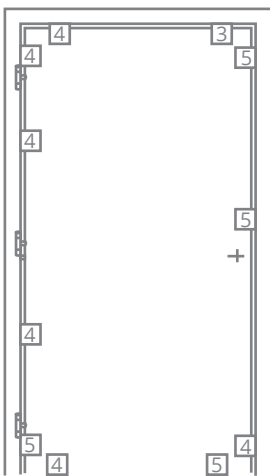
- 3** Door fitted with spring-loaded cable duct



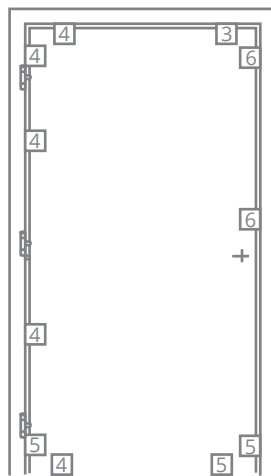
4 Place the shims to check the slacks and leave them in place if the frame is filled with PU foam afterwards



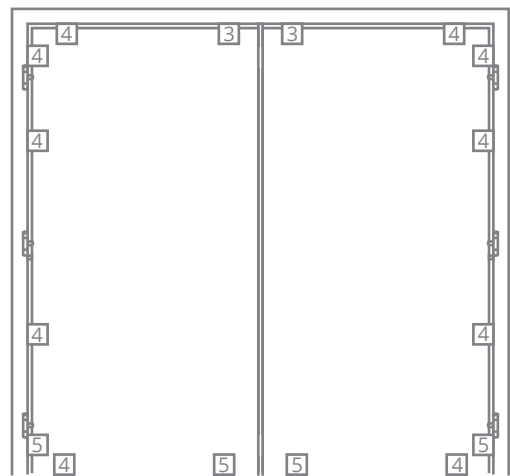
The type of single door kit (1/2) is calculated according to the doors and is indicated on the delivery note



KIT 1 SINGLE DOOR
 1 x 3 mm shim
 6 x 4 mm shims
 4 x 5 mm shims
 0 x 6 mm shims

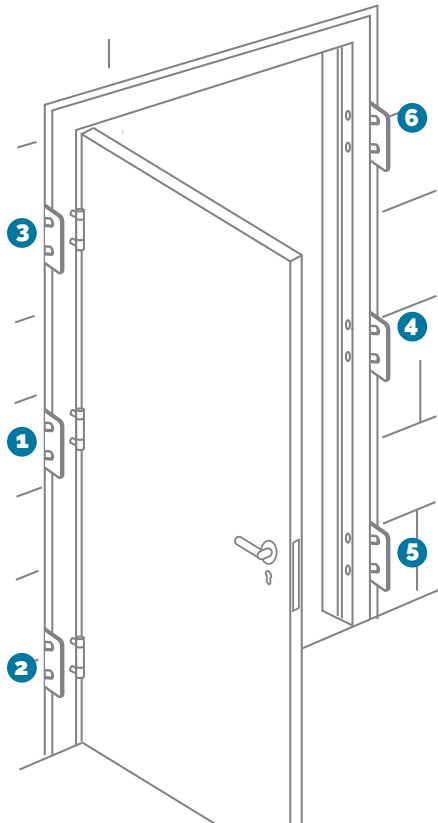


KIT 2 SINGLE DOOR
 1 x 3 mm shim
 5 x 4 mm shims
 3 x 5 mm shims
 2 x 6 mm shims



KIT DOUBLE DOOR
 2 x 3 mm shims
 10 x 4 mm shims
 4 x 5 mm shims
 0 x 6 mm shims

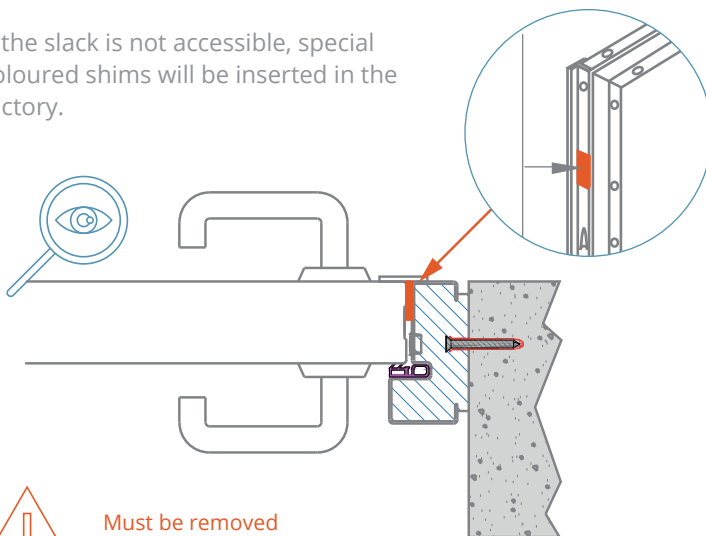
5 Adjust



Adjust the thickness forks 4,5,6, if necessary by checking of the door opening and tighten the screws 4, 5, 6 completely.

6

If the slack is not accessible, special coloured shims will be inserted in the factory.



Must be removed

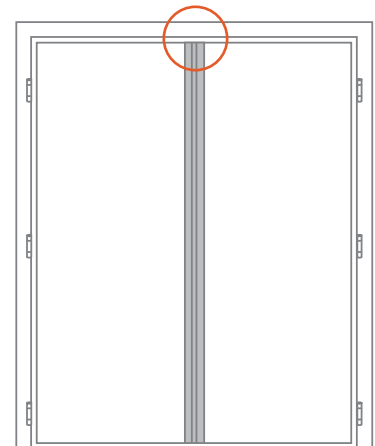


Not to be confused with any black shims on the semi-fixed leaf, which are not to be removed.



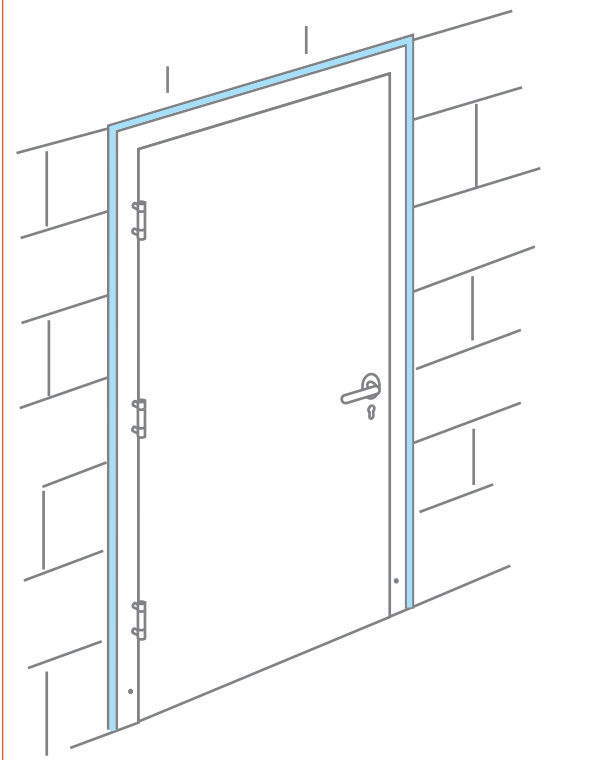
Check the adjustment and the alignment of the leaves in double doors.

In the case of a double door: tighten the two screws of the head jamb slightly, insert the thickness forks and screw them in completely.



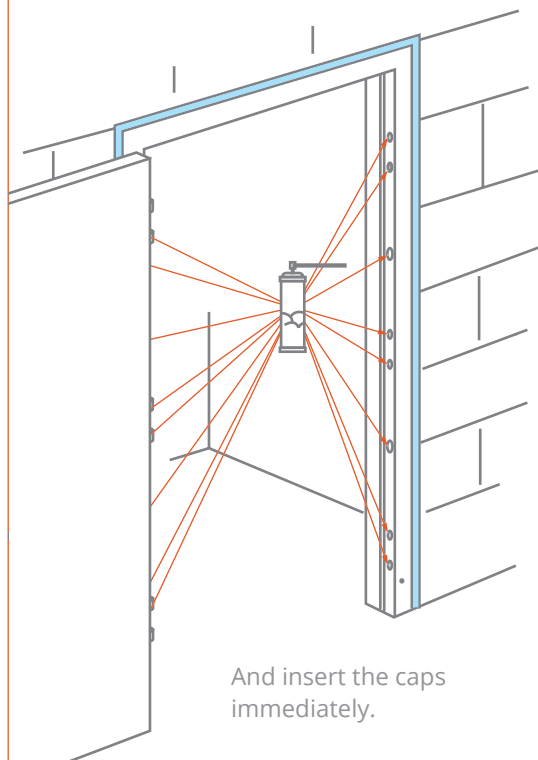
7 Seal the door

Seal the gaps between the frame and the wall on both sides, use foam or silicone sealant if needed. (e.g. waterproofing).



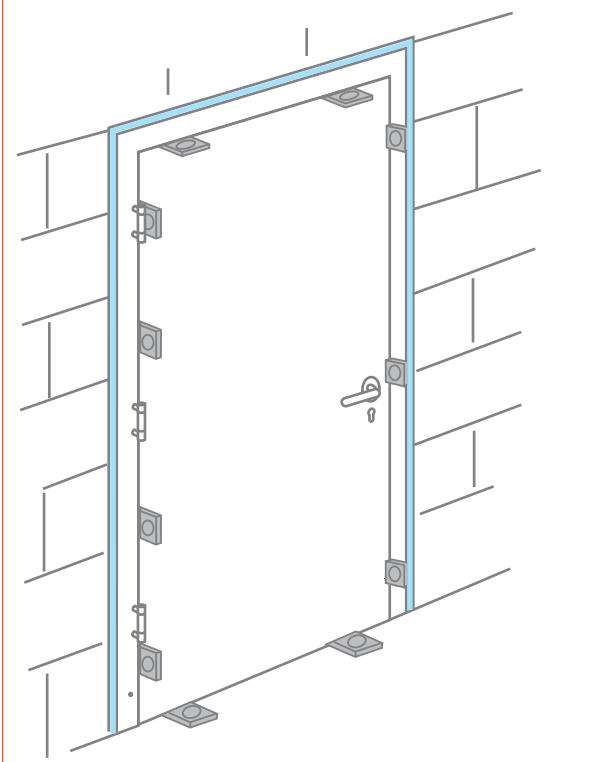
8a For non-fire doors, it is possible to use foam to fill the frame for better insulation.

Fill the frame through the fixing holes and intermediate holes.



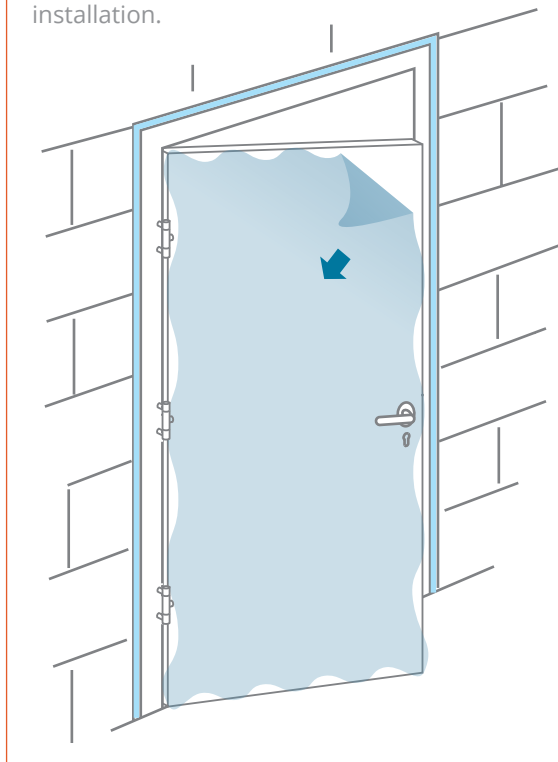
8b

Close the door and replace the shims.



8c

Once the PU foam has dried, open the leaf and remove the blue protective film from the leaf. This film must be removed immediately after installation.

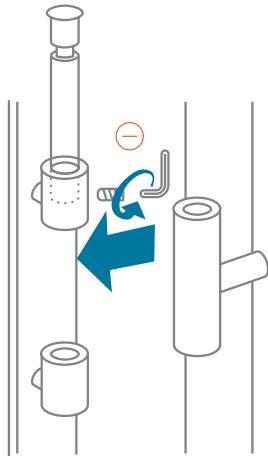


ADJUSTING THE LEAF

HINGES

1

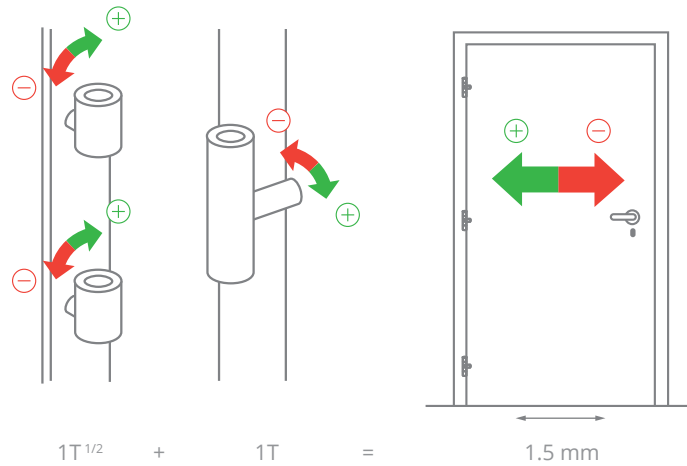
Loosen the screws on the hinge pins and remove the pins.



2

Horizontal adjustment

Turn the two corresponding hinge parts of the frame through one and a half turns (in the same direction) for each turn made to adjust the leaf hinge.



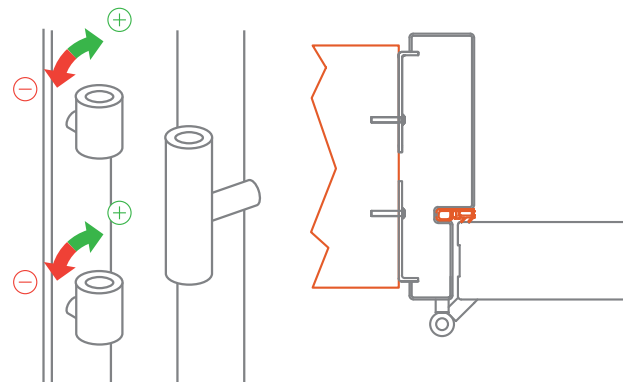
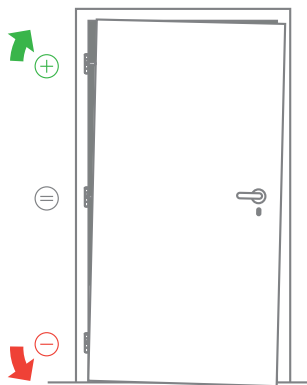
Clockwise: reduces the slack around the hinge.

Anti-clockwise: increases the slack around the hinge.

3

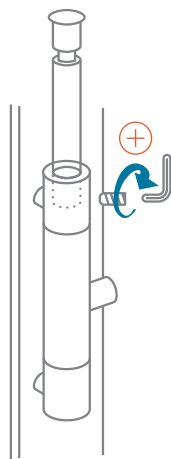
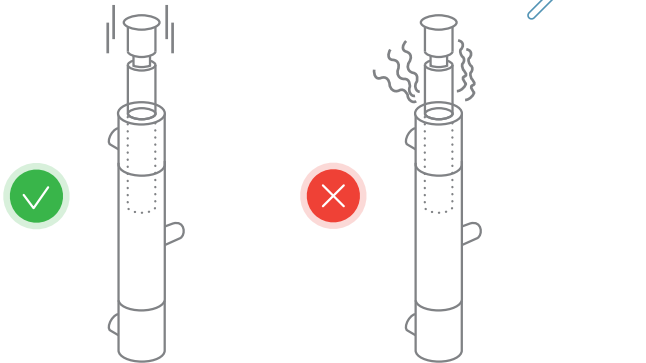
Compression adjustment

Straighten the door by adjusting each hinge individually if necessary.



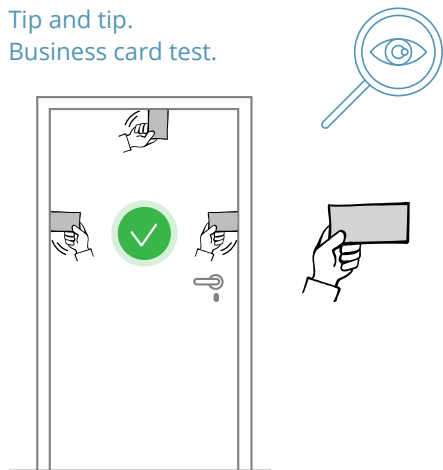
Only adjust the hinge parts of the frame. The compression of the lock surround can be adjusted using the striker plates (see chapter on striker plate adjustment).

The pins must engage easily.



Make sure that all hinge pin screws have been firmly tightened.

Tip and tip.
Business card test.

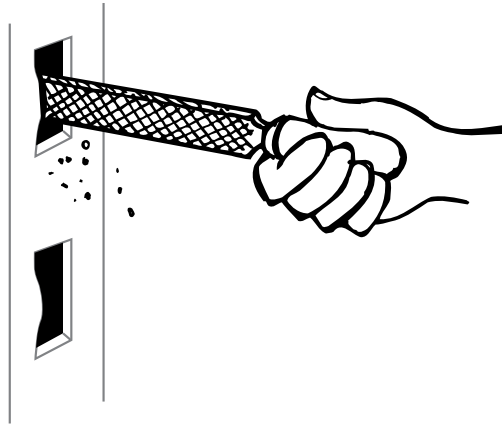


The business card should stick slightly.
Not a contractual requirement.

STRIKER PLATES

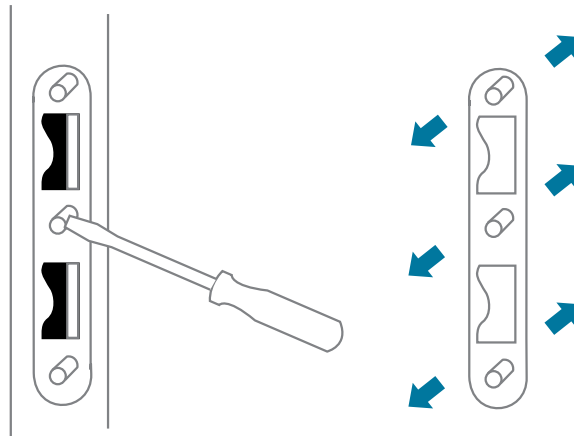
SINGLE DOOR

File down the rounded parts if more slack is required for the bolt and check that the bolt is fully engaged.

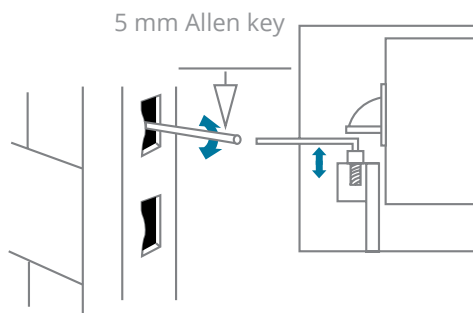


DOUBLE DOOR

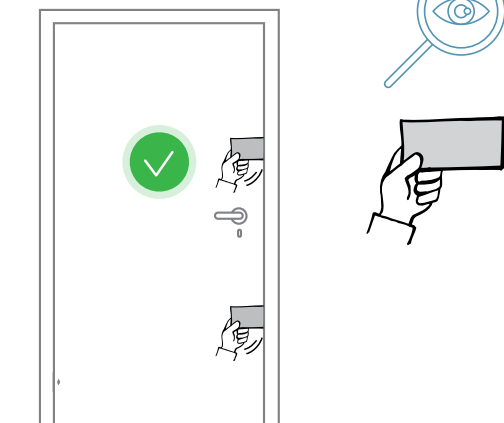
Semi-fixed leaf side.
Adjust to compress the rebate joints along the full height.



ADJUST IF THERE IS AN ADJUSTING SCREW



Business card test

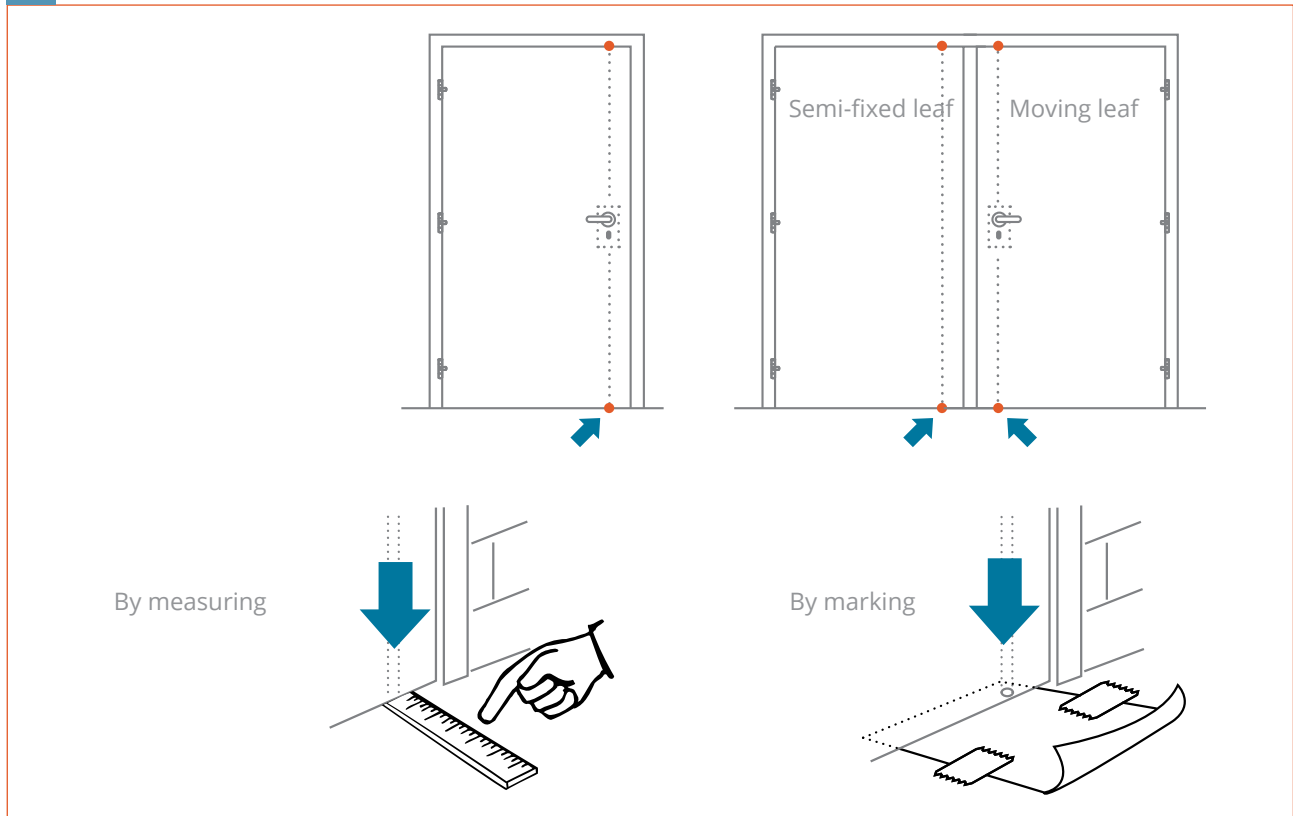


The business card should stick slightly.

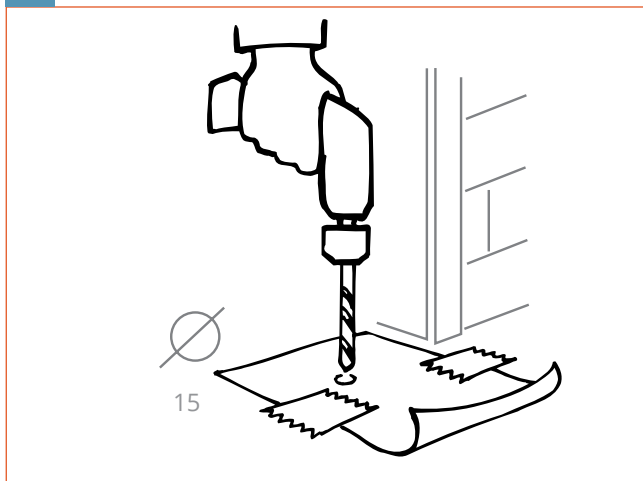
RODS

For bolts and 3-point locks

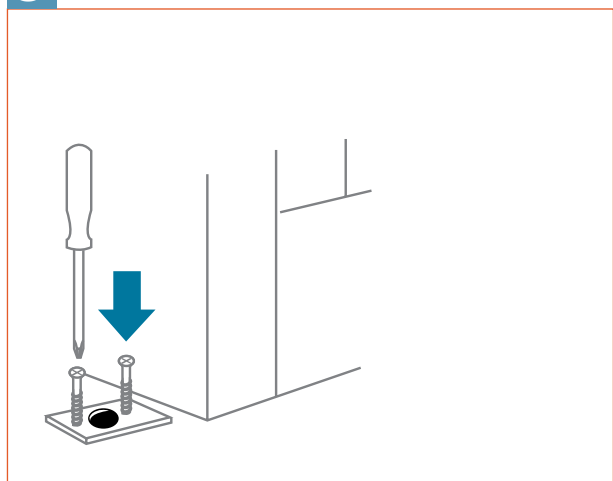
1 Mark on the floor



2 Drill



3 Attach the finger-plate



For automatic bolts on double doors:

the moving leaf can only be closed again once the housing hole has been drilled into the ground.

Ensure the following:

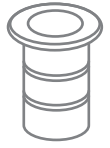
- that the rod does not rub against the striker plates; if it does, adjust it accordingly;
- that the automatic bolt is sufficiently sunken to ensure that the rods protrude by +/-15 mm, or else bring the leaves closer together by adjusting the hinges horizontally or raising the friction plate.

GROUND SOCKET

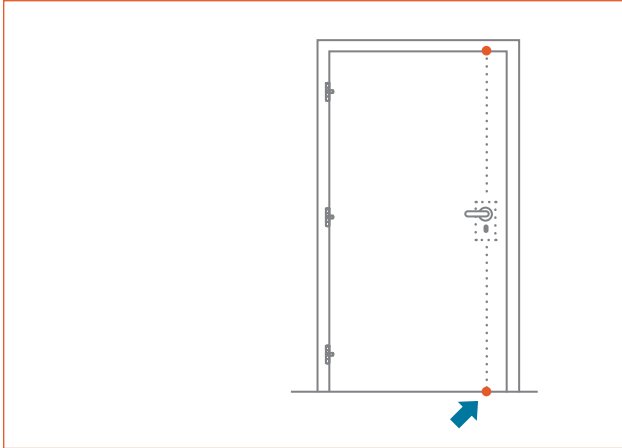
Easy clean



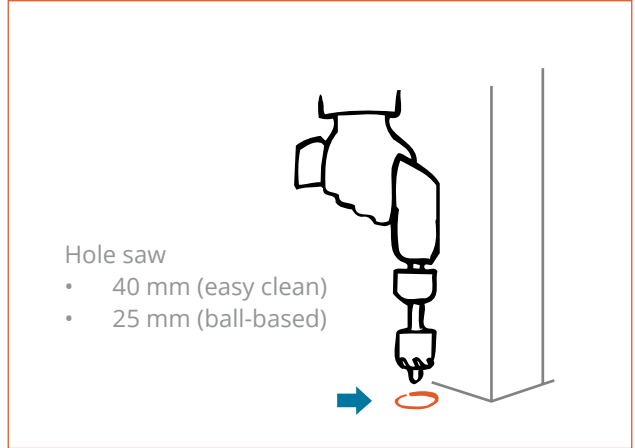
Ball-based



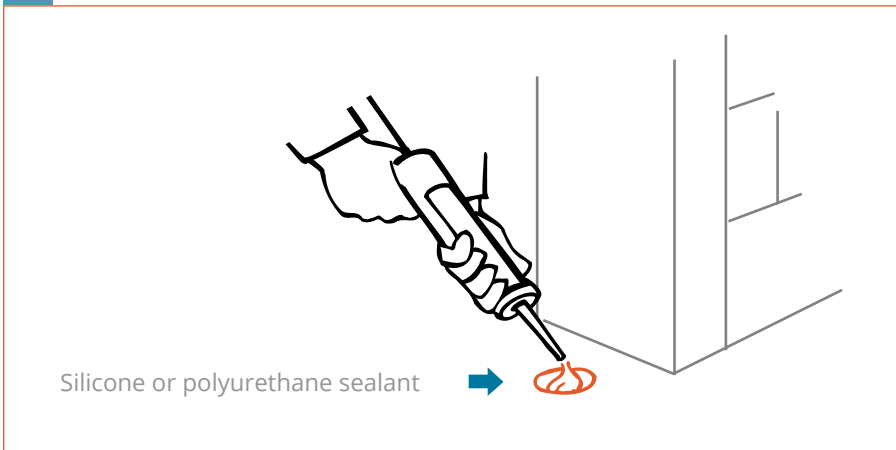
1 Mark on the floor



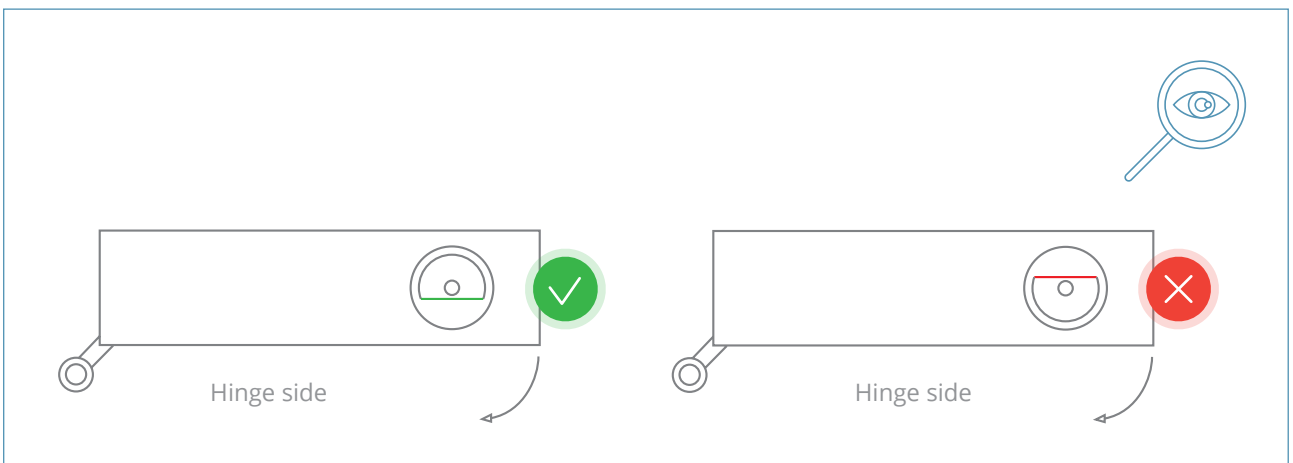
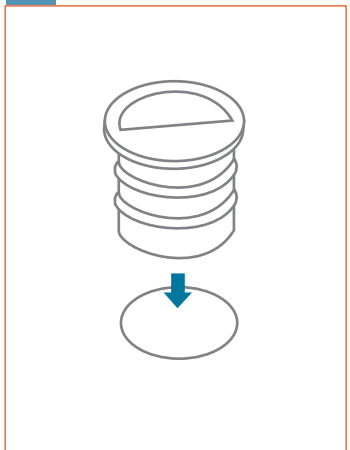
2 Drill



3 Seal



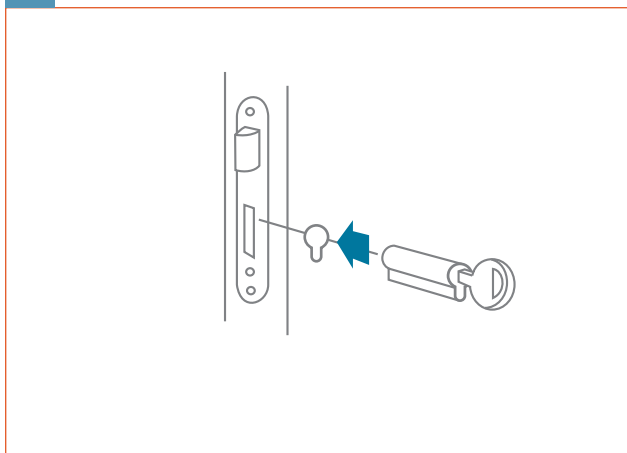
4 Sink



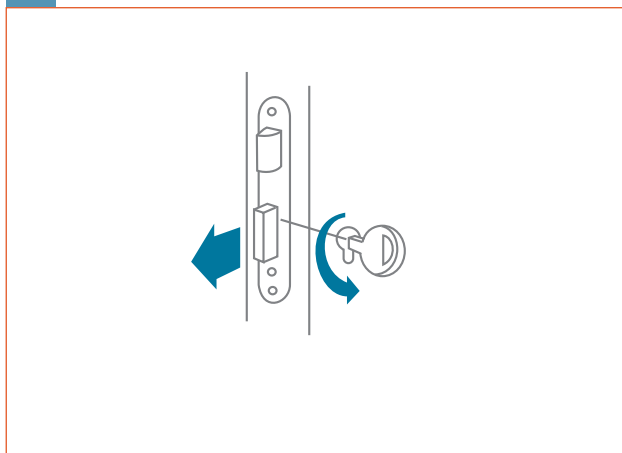
FITTINGS INSTALLATION

CYLINDER

1

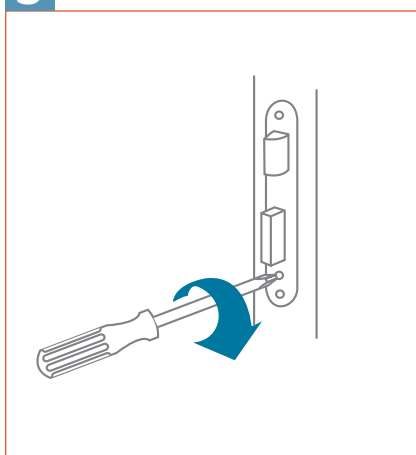


2



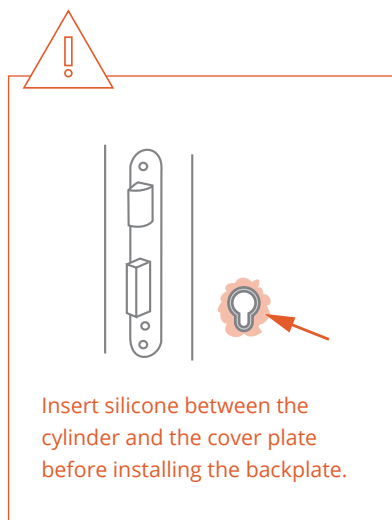
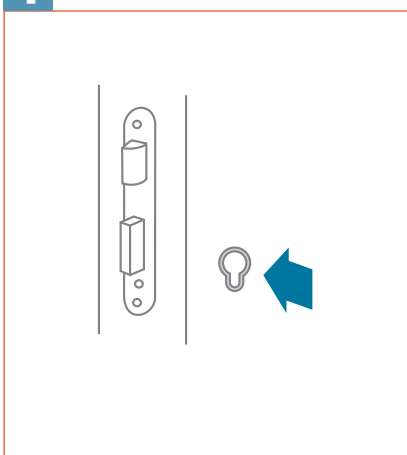
3

Do not fully tighten the screw



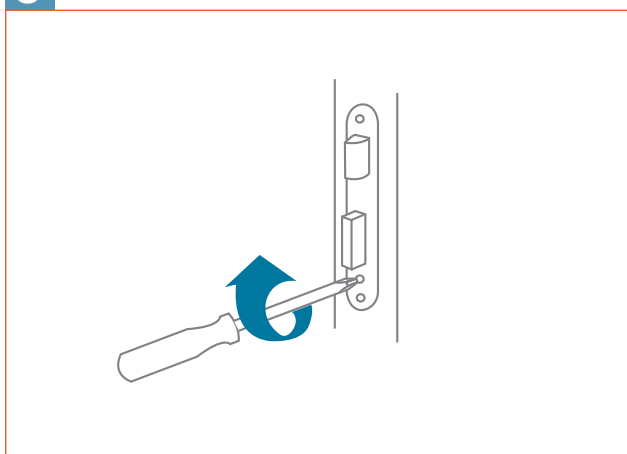
4

Position the backplate

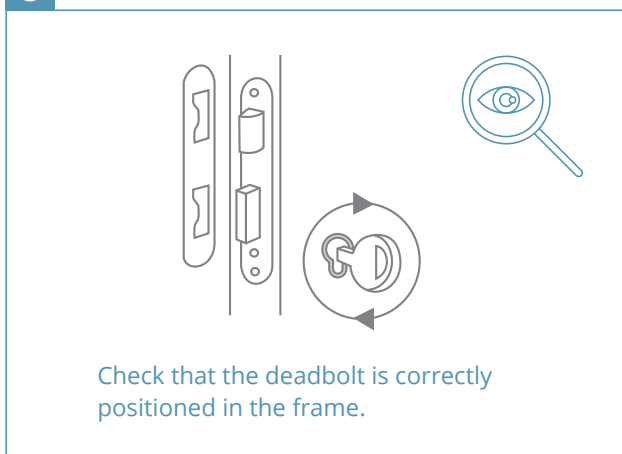


5

Tighten fully



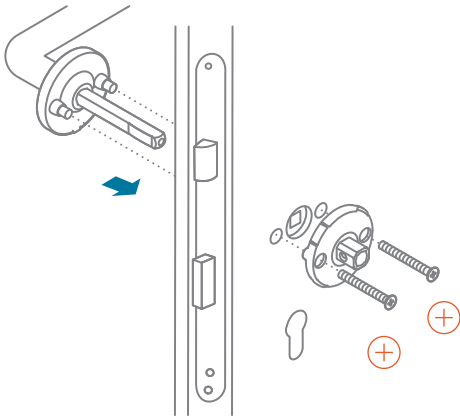
6



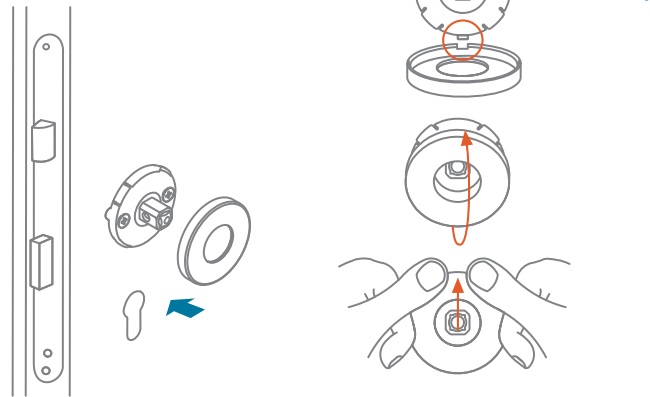
HANDLES

ASSEMBLY

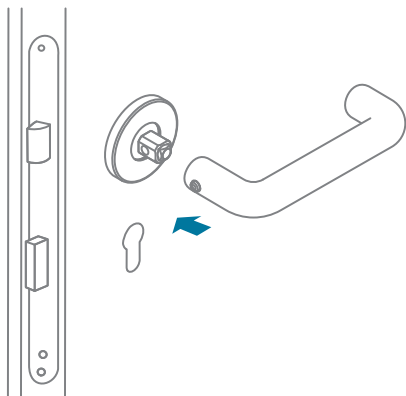
1 Secure by tightening the through screws firmly



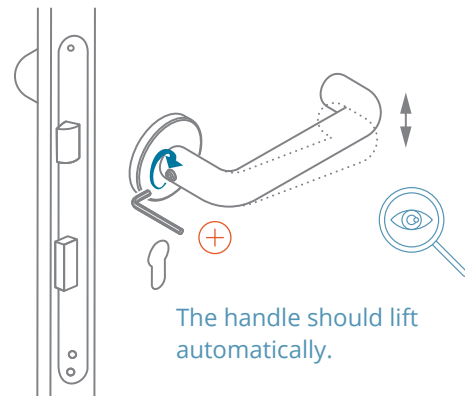
2 Clip on the backplate



3 Insert the handle profile

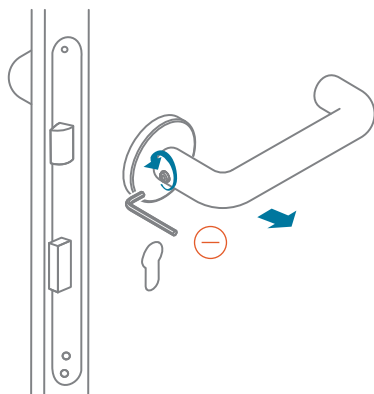


4 Tighten the set screws firmly

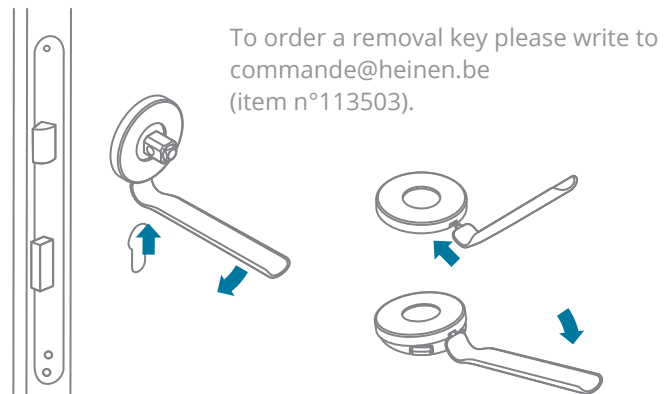


DISASSEMBLY

1 Loosen the set screws

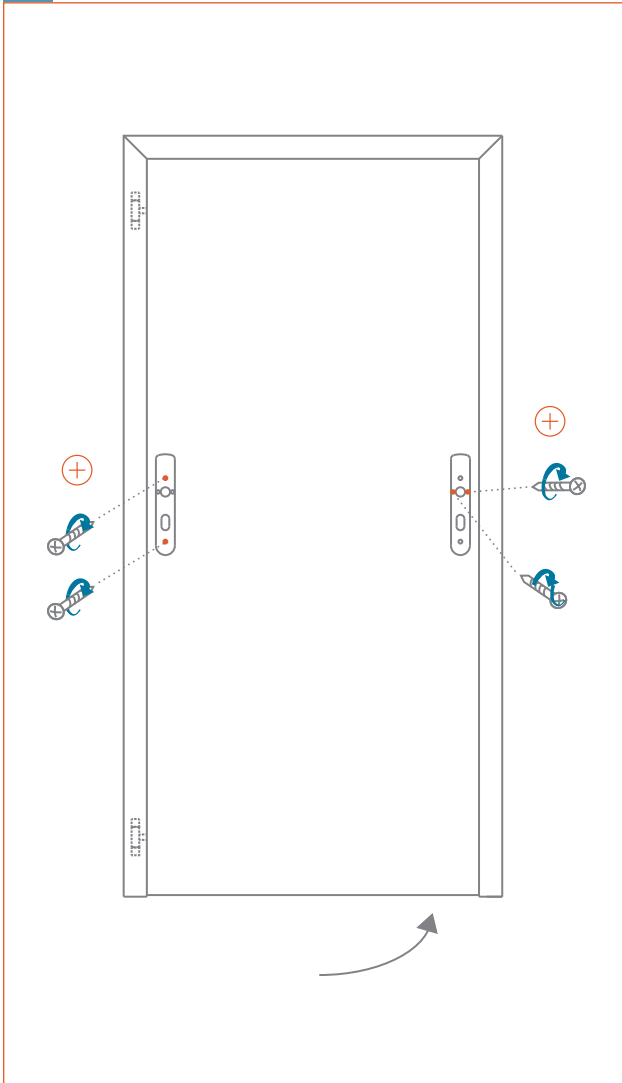


2 Unclip the backplates using a removal key



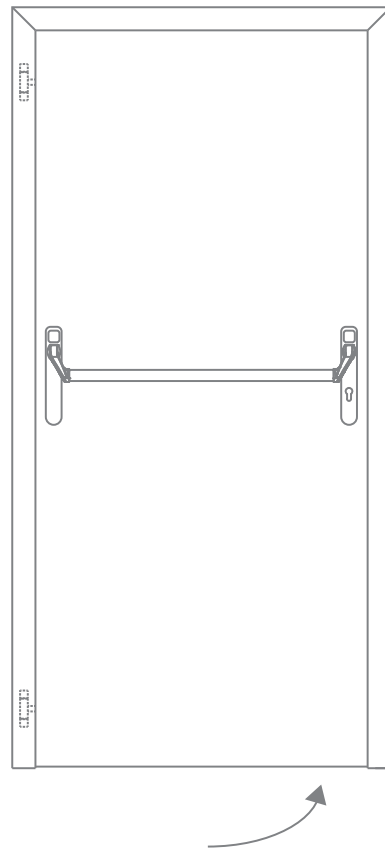
ANTI-PANIC BAR

1 Attach the spacers



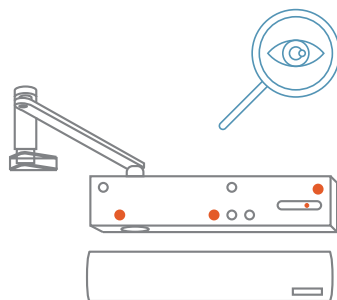
2

Install the panic bar on the spacers in accordance with the supporting documentation for the panic bar.

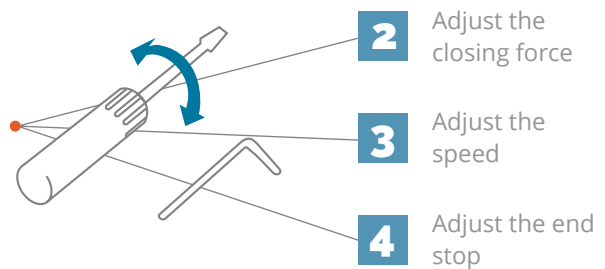


DOOR CLOSER

1 Check that it functions just as it should and that the leaf is balanced.



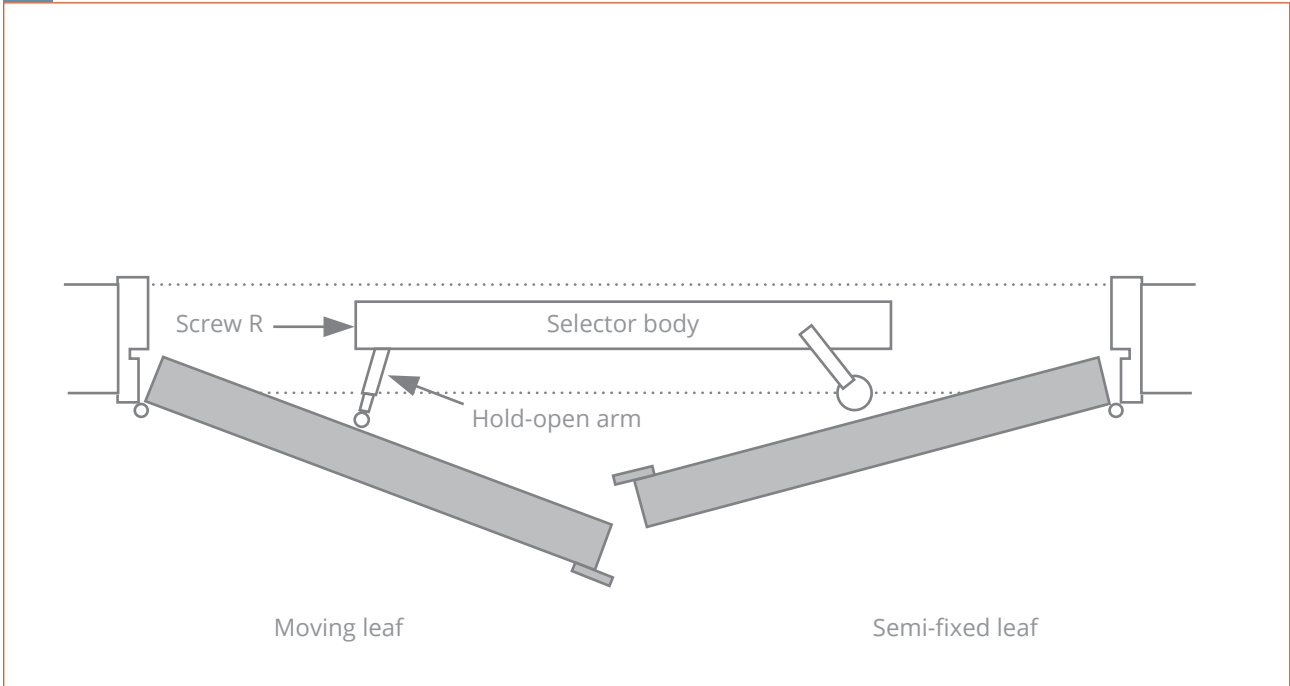
ADJUST AS REQUIRED



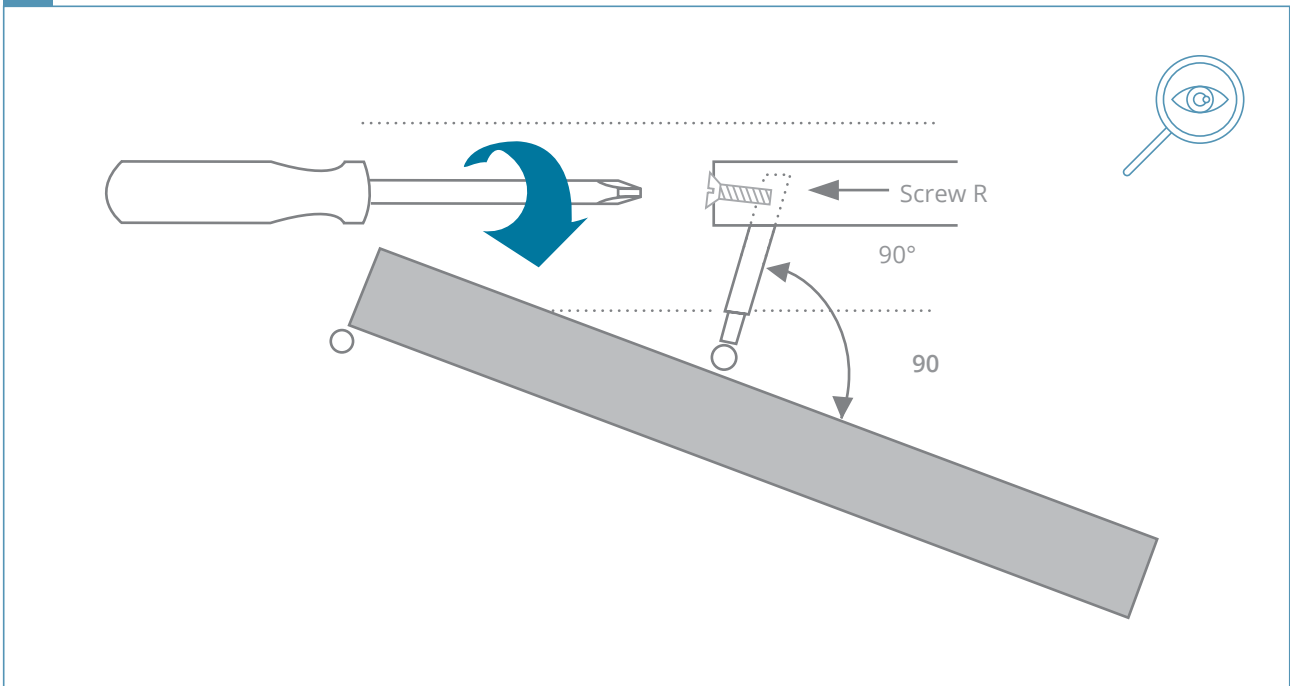
Refer to the supporting documentation for the installed door closer.

CLOSURE SELECTOR

- 1 The semi-fixed leaf must close before the moving leaf



- 2 Check that the hold-open arm is perpendicular to the moving leaf



FINAL CHECK AND FINISHING



- Check that the screws are tightly fastened.
- Clean with a damp cloth.
- Do not clean with water or a pressure washer.



Use a Loctite 243-type threadlocker for the handle screws.



1. GENERAL TERMS

Unless otherwise stated, the 15-year warranty applies to all Heinen Metal + door blocks installed with the installation clamps and mortar filling. A 10 year guarantee applies to all door blocks installed by screwing, without concrete filling. The guarantee covers the mechanical stability of the door block and the seals. For glazing, hardware and other equipment, the warranty is limited to one year unless otherwise specified by the manufacturer.

2. CONDITIONS

The warranty is subject to:

1. the respect of the installation instructions as described in the appropriate Heinen installation manual;
2. use of the product in the context of normal use;
3. a clearly legible serial number (only valid for doors produced after Sept. 2016);
4. storage and assembly protected from the weather and in a dry environment;
5. the absence of any mention limiting or cancelling this warranty in the price offer or order confirmation.

3. EXCLUSIONS

Damage related to:

- an accident, abnormal use or caused by forced entry and/or vandalism;
- using harsh products (caustic cleaning products, road salt, etc.);
- corrosion or exposure to extreme weather conditions (flooding, storms, etc.);
- using a large quantity of water or using a high-pressure cleaner.

The warranty will be cancelled:

- if the door set has been fitted with locks, accessories or other fittings which have not been supplied by Heinen or have been imposed by the customer and not approved by Heinen;
- if the door set is modified and/or has fittings from a third party;
- if malfunctions occur linked to fitting the door set and/or hardware incorrectly.

4. LIABILITY LIMIT

If the Customer has suffered damage as a result of defects in the goods supplied by HEINEN DOORS BELGIUM, incorrect deliveries and/or deviations in quantities, the liability of HEINEN DOORS BELGIUM, without prejudice to what is stipulated in Article 10 of the General Terms and Conditions of Sale, is limited to the replacement of the missing or defective parts or the payment of the equivalent value of the price of the goods delivered, regardless of the amount of the damage suffered. In no event shall HEINEN DOORS BELGIUM be liable for indirect, incidental or consequential damages, such as, but not limited to, loss of business, loss of profits, additional costs, loss of turnover.

Heinen reserves the right to replace defective parts by parts with a slightly different design.



www.heinen-doors.com