

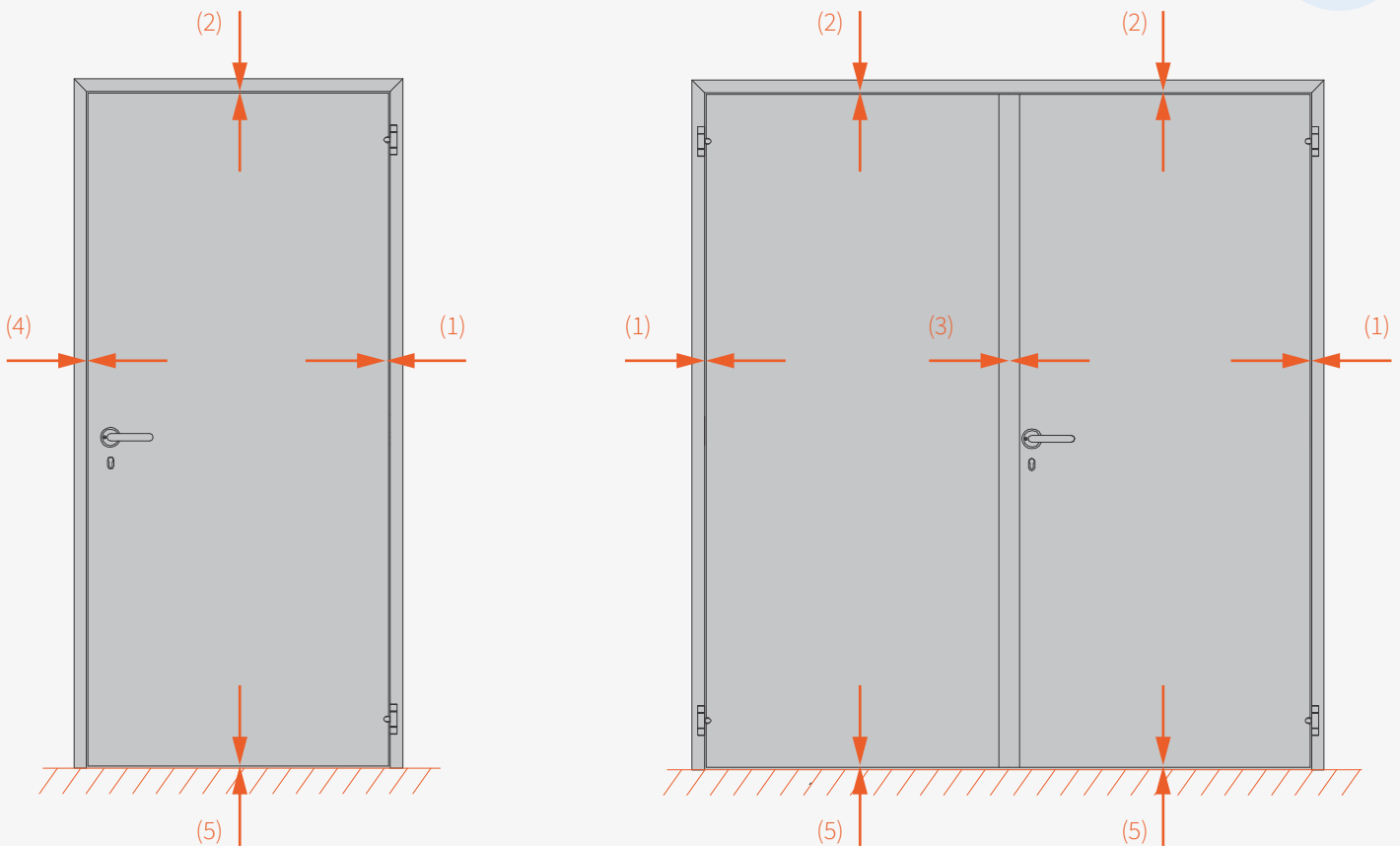


Recommended clearance*

	RC2 / RC3 / RC4 / RC5	
	From	To
(1) Side jamb hinge side	4	6
(2) Head jamb	3	7
(3) Side jamb lock side (2 leaves)	8	10
(4) Side jamb lock side (1 leaf)	4	6
(5) Threshold	2	8

* These values are expressed in mm. They are not a constraint imposed by the test pass certificates, but a recommendation for optimum adjustment.

⚠ When combining panic performance for CR4 and CR5 doors, limit the gap at the bottom of the door to 4mm maximum.



www.heinen-doors.com