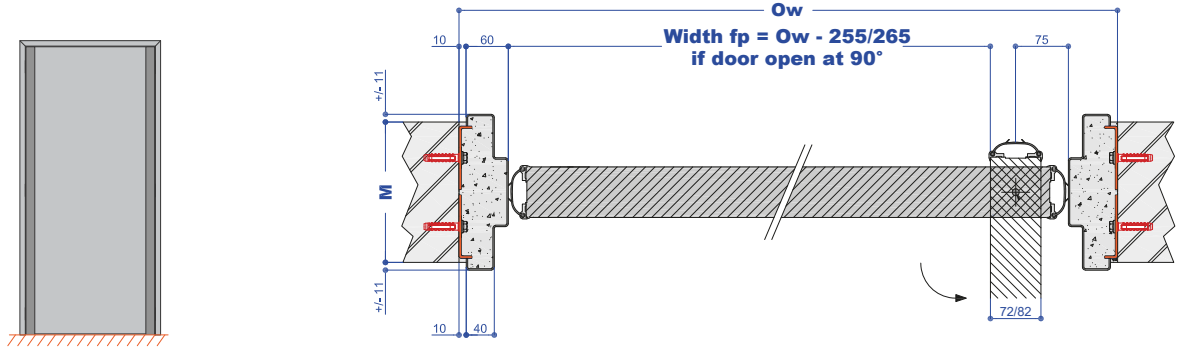


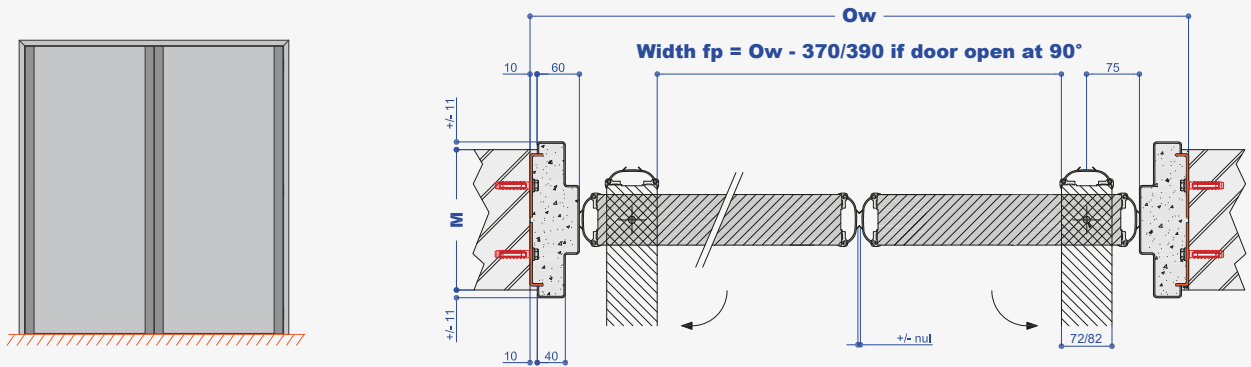
TWO-WAY DOORS CROSS-SECTIONS AND DIMENSIONS

DOHE 304 - Wall and doorleaf dimensions, free passage calculation and glazing sizes
 - Installation with welded clamps and mortar filling

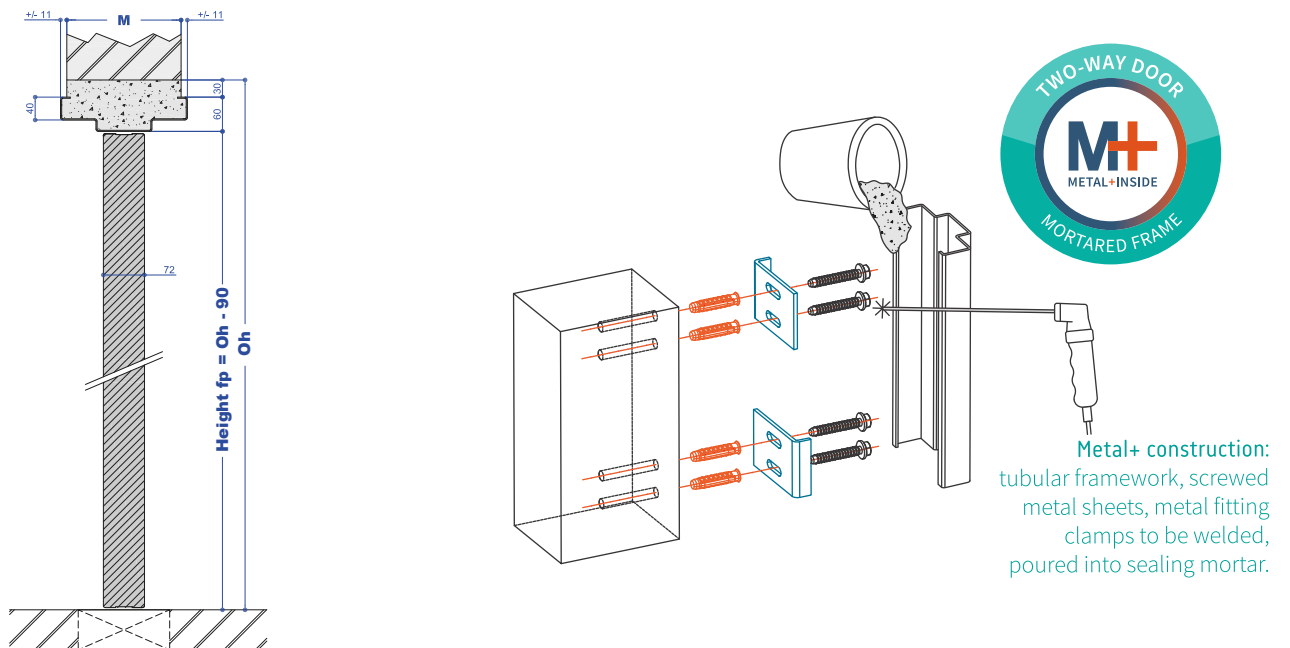
WIDTH FREE PASSAGE: SINGLE DOOR *(with frame adaptable to wall thickness)*



WIDTH FREE PASSAGE: DOUBLE DOOR *(with frame adaptable to wall thickness)*



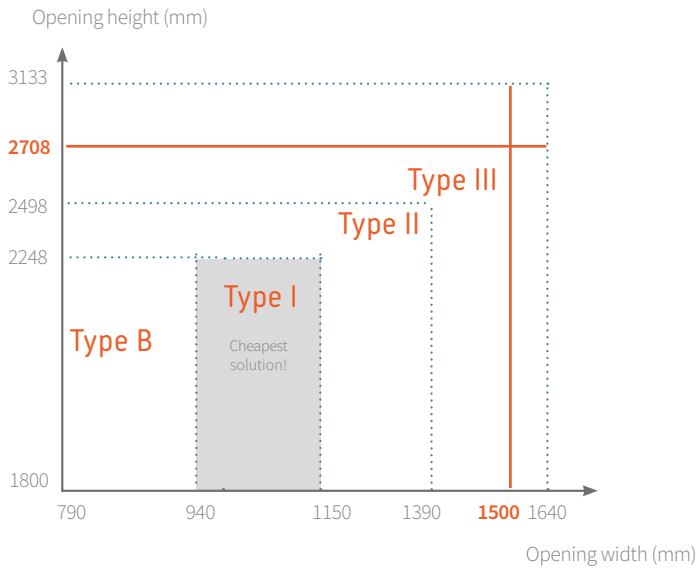
HEIGHT FREE PASSAGE: SINGLE & DOUBLE DOORS *(with frame adaptable to wall thickness)*



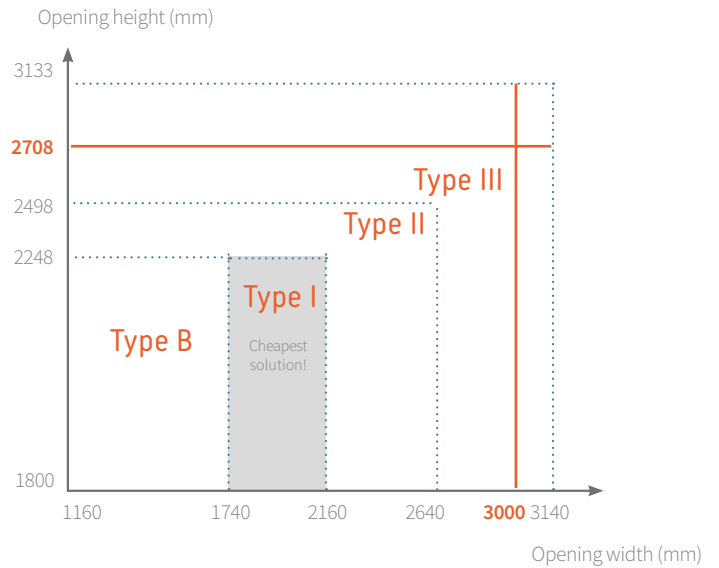
REMARKS: The principle of these section drawings is valid for almost all our surface-mounted swing doors. The standard thickness of the doorleaf is 72 mm. The fireproof doors E11 60 have a thickness of 82 mm! Other section drawings are available, see: www.heinen-doors.com.

WALL OPENING DIMENSION *(always tailormade)*

Single door



Double door



NOTE: The dimension area Type I is always the most economical solution!

DOOR LEAF DIMENSION *(always tailormade)*

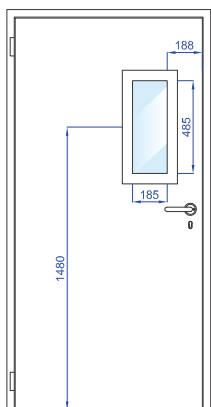
Maximum size door leaf Type I: 960 x 2150 mm
 Maximum size door leaf Type II: 1200 x 2400 mm
 Maximum size door leaf Type III: 1450 x 2960 mm

The maximum size of a door set depends on its performance features and design (e.g. fireproof, burglary resistance, soundproof, glazed or ventilated, ...). Contact us or consult our technical data sheets to obtain these dimensions.

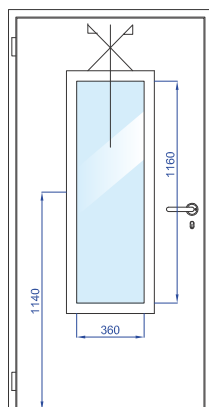
HEINEN GLAZING RANGE *(standard and custom dimensions)*

The maximum size of the glazing depends on the performance features of the door (e.g. fireproof, burglary resistance, soundproof, ...). Contact us or consult our technical data sheets to obtain these dimensions.

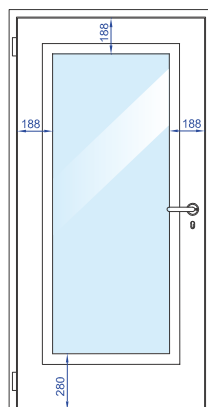
Type 1



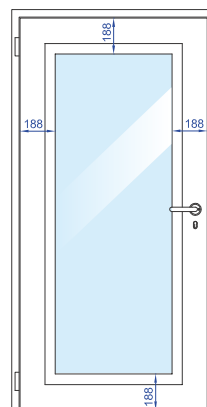
Type 2



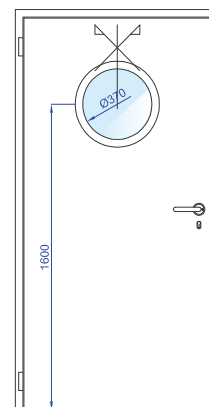
Type 3



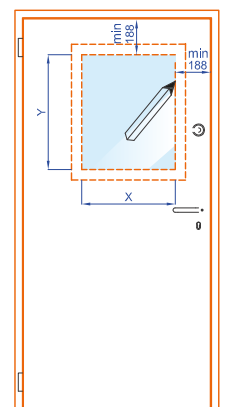
Type 4



Type R



Customised



NOTE: In case of a «Customised» glazing order, you may specify both the size and positioning of the glazing.

www.heinen-doors.com

For BIM files, please consult us. Our products are certified **CE**

Heinen product sheet | Two-way doors cross-sections and dimensions | 2024-03-14_DOHE 0304 - V02EN

Copyright © Heinen 2024 | Non-contractual document.