

Installation guide



MPHE 0200 : METAL+ | SURFACE-MOUNTED HINGED DOOR,
POURED INTO SEALING MORTAR

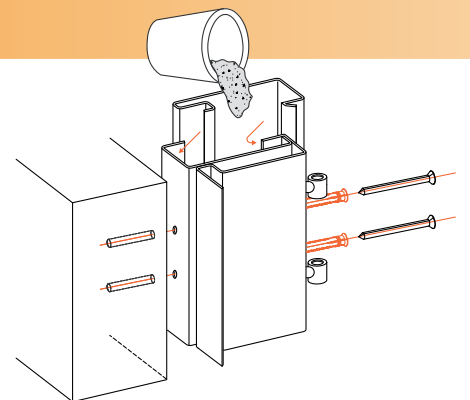


TABLE OF CONTENTS

.....4

..... 5

INSTALLATION: SURFACE-MOUNTED

Preparing the frame 6
Installing the leaf..... 10
Shims 13
Installation of the covers..... 15
Applying the sealing mortar 18

ADJUSTING THE LEAF ONCE THE MORTAR HAS SET

Hinges..... 21
Striker plates 23
Rods..... 24
Ground sockets 25

FITTINGS INSTALLATION

Cylinder 26
Door handles..... 27
Anti-panic bar 28
Door closer 28
Closure selector 29

FINAL CHECK AND FINISHING

Tightening the screws 30

HEINEN WARRANTY 31



HORIZONTAL STRAIGHTENING



COMPLETE DRYING



MOISTURE REMOVAL



CLEAN SURFACE



INSPECTION



VERTICAL STRAIGHTENING



PROCEED WITH CARE



PRECAUTIONS



PROCEDURAL SEQUENCE

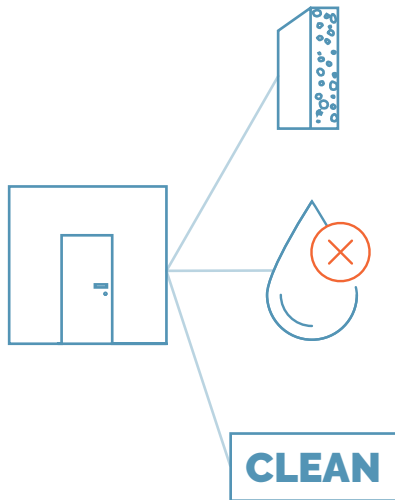


STORAGE PRECAUTIONS

Store all doors, including exterior doors, away from the elements and moisture prior to installation.

Do not expose the blue protective film covering the leaf to the sun.

Poor storage conditions can affect the adhesion of the protective film, making it difficult to remove.



CONSTRUCTION MEDIUM

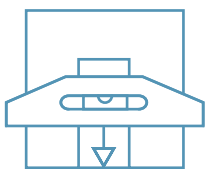
Thickness (min. 100 mm), density and resistance vary according to the performance of the door set and must comply with the relevant certificates.

CORROSION PRECAUTIONS

The wall must be completely dry.

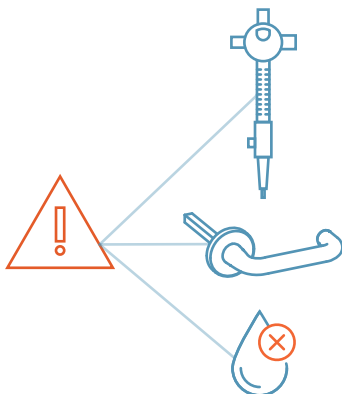
SEALING MORTAR ADHESION

This depends primarily on the surface condition of the edges of the opening, which must be clean and free of any paint or coatings. Note to builder: it is advisable not to repoint the masonry seals around the narrow sides of the opening in order to improve the adhesion of the sealing mortar.



MARKING THE FINISHED FLOOR

- With a rough floor: ensure that the finished floor level is clearly marked.
- With a finished floor: check that the floor beneath the leaf and the entire area that the door sweeps when opened is horizontal.



INSTALLATION PRECAUTIONS

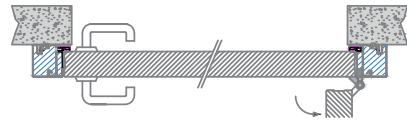
- Always keep at hand an accessory to allow you to open the door during installation.
- Do not use the master key in combination with the Abloy EL520 lock.
- Fire doors must be stored and installed in conditions free of moisture.



PRECAUTIONS FOR DOORS EXPOSED TO THE ELEMENTS

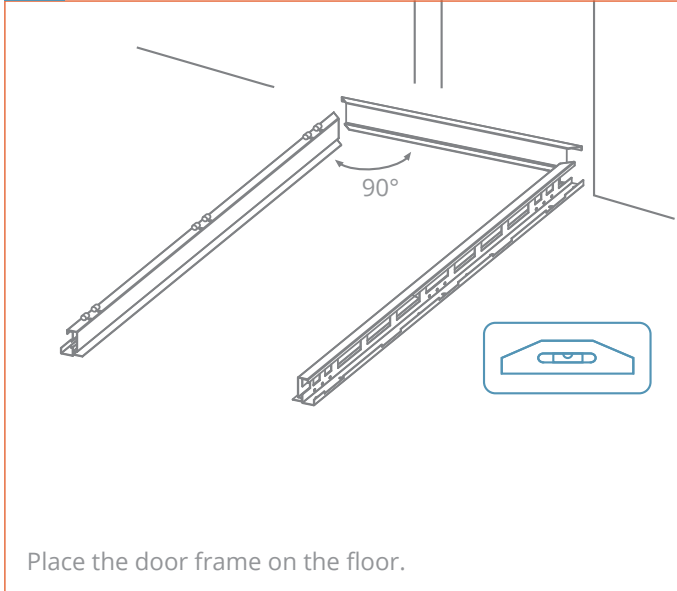
Any orifices that might be exposed to the elements must be protected with silicone sealant.

INSTALLATION: SURFACE MOUNTED



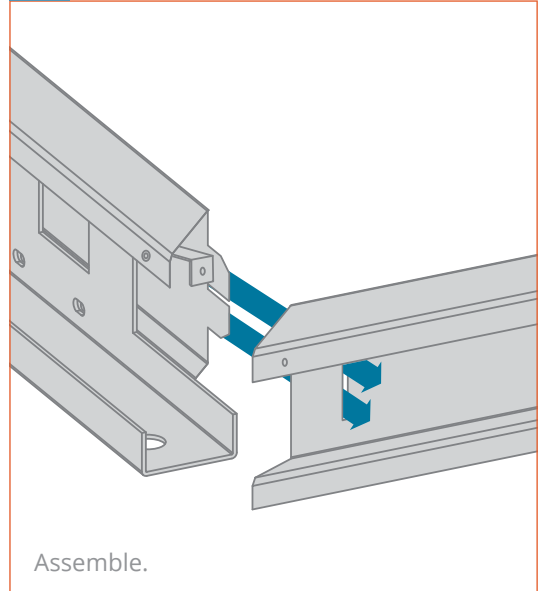
PREPARING THE FRAME

1



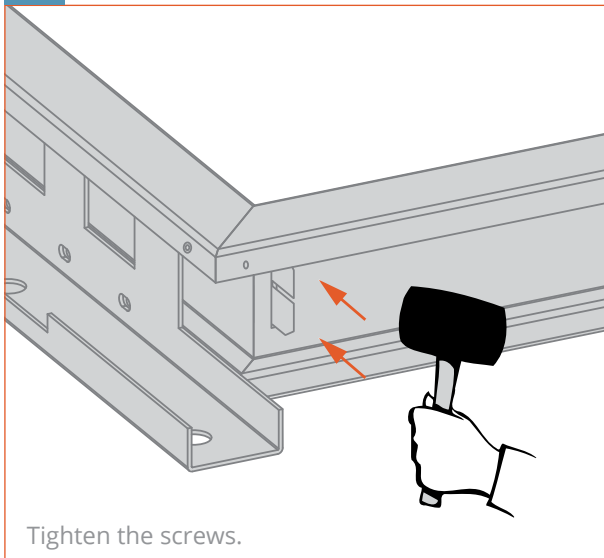
Place the door frame on the floor.

2



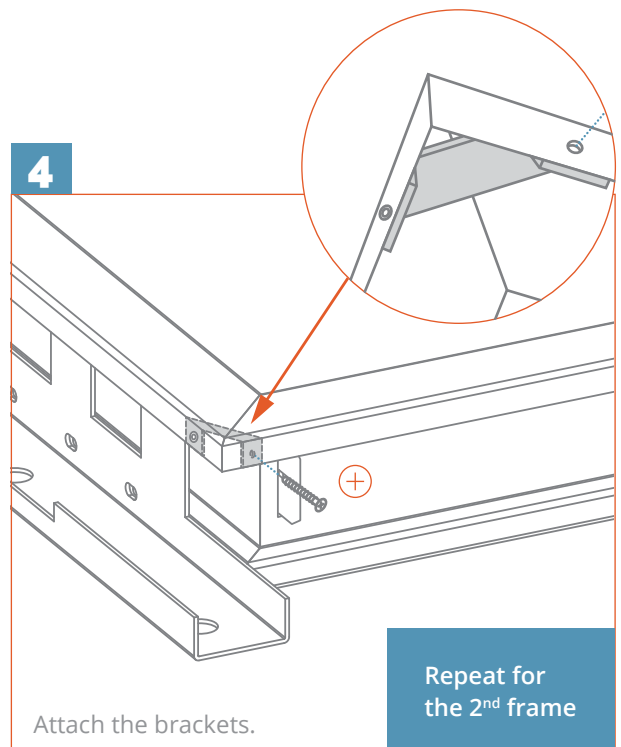
Assemble.

3



Tighten the screws.

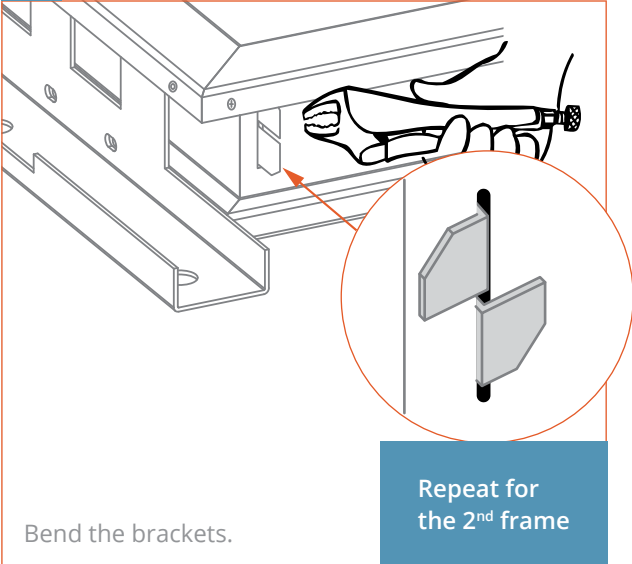
4



Attach the brackets.

Repeat for
the 2nd frame

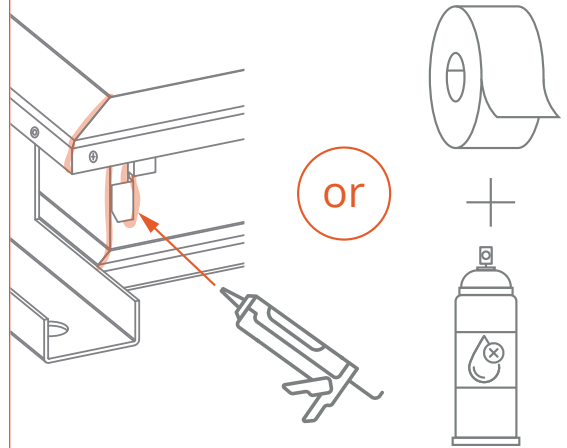
5



Bend the brackets.

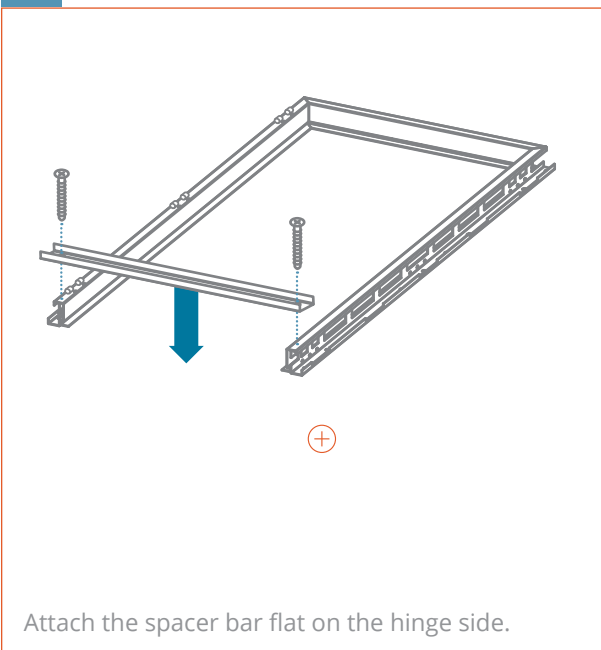


Doors exposed to the elements



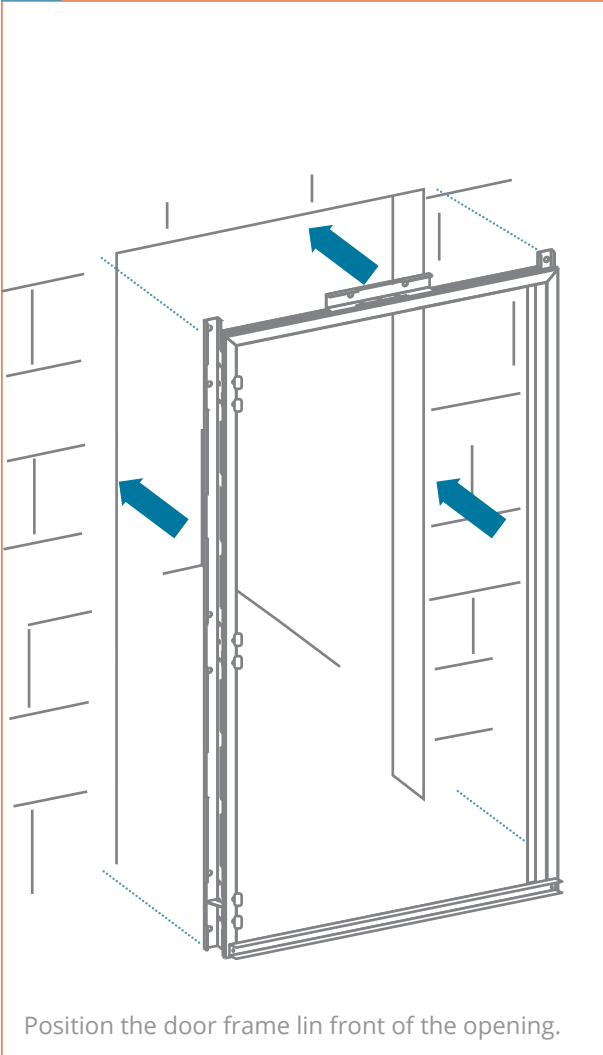
All joints (interior and exterior) at the corners of the frame must be caulked with silicone sealant to prevent wet concrete from running.

6

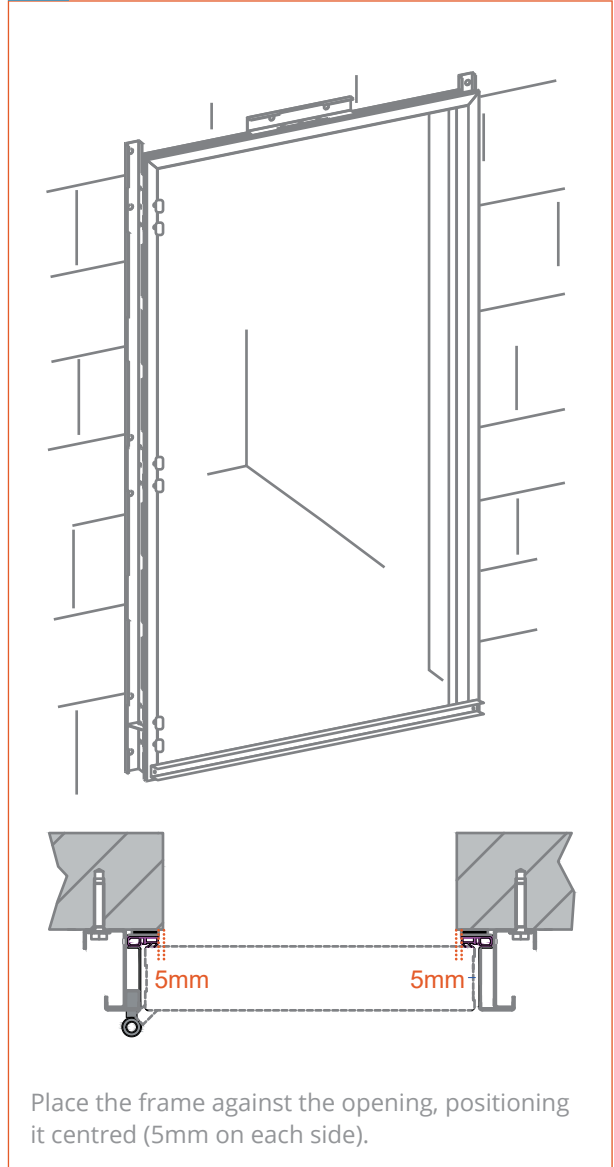


Attach the spacer bar flat on the hinge side.

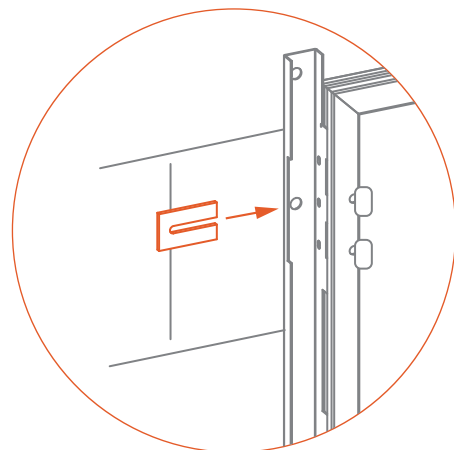
7a



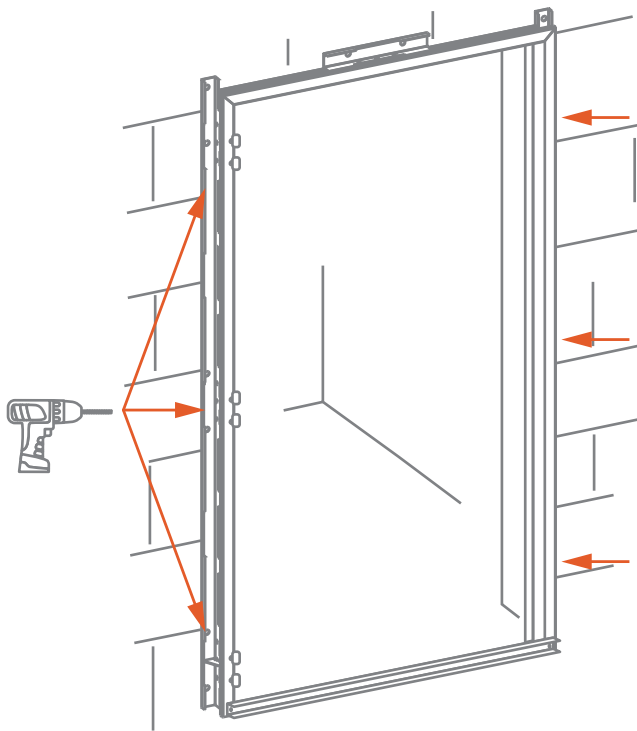
7b



The surface of the opening to which the frame is to be fixed must be perfectly flat. If this is not the case, when tightening the fixing screws, wedges must be inserted between the frame and the surface of the opening at the fixing points to avoid bending the frame.

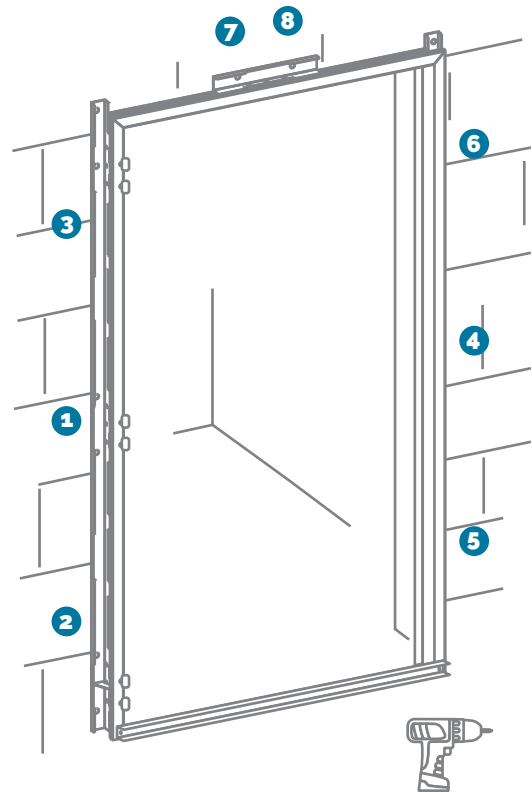


8a

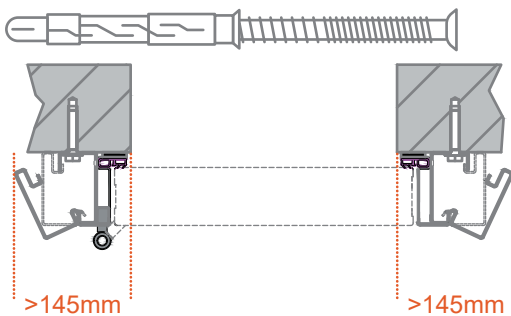


Lay out the frame and mark the drilling points. Drill, insert de plugs and tighten the screws lightly, checking the levels.

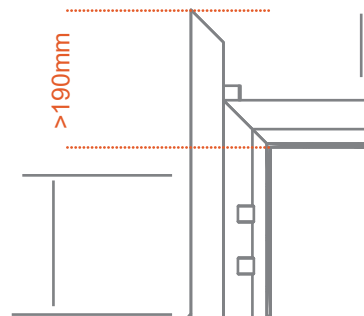
8b



Tighten screws 1, 2 and 3 on the hinge side of the frame slightly tighten screws 4, 5 and 6 on the lock side, as well as slightly tighten screws 7 and 8 on the top profile.



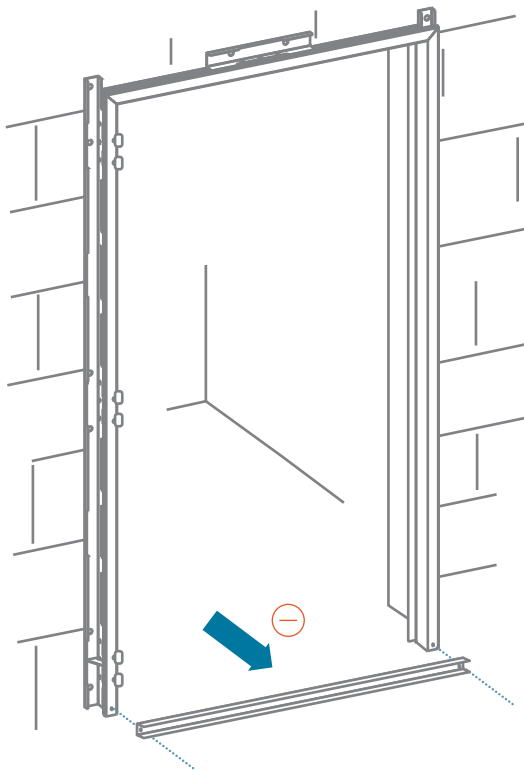
Leave at least 145 mm of free edge on each side of the sides of the opening so that the covers can be clipped on afterwards.



Maintain a free edge of at least 190 mm above the wall opening, so that the cover can be clipped on later.

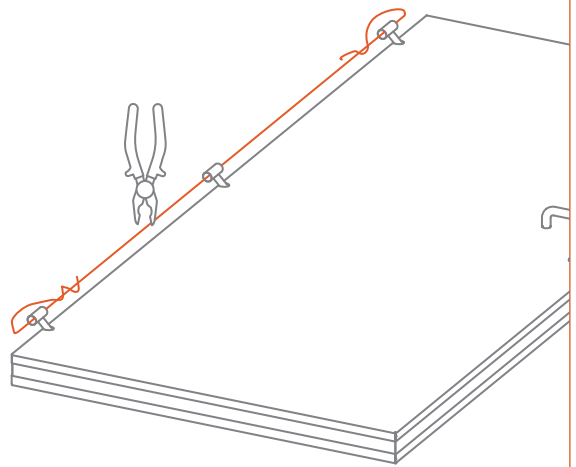
INSTALLING THE LEAF

1



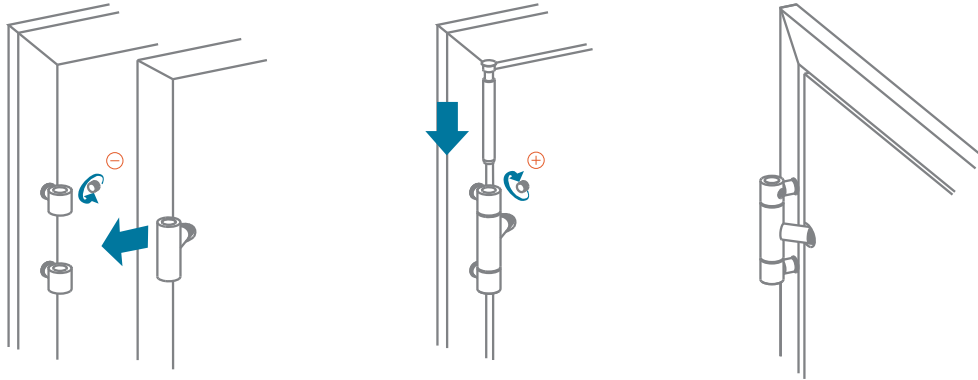
Remove the spacer bar.

2



Remove the wire holding the factory-preset hinges in place.

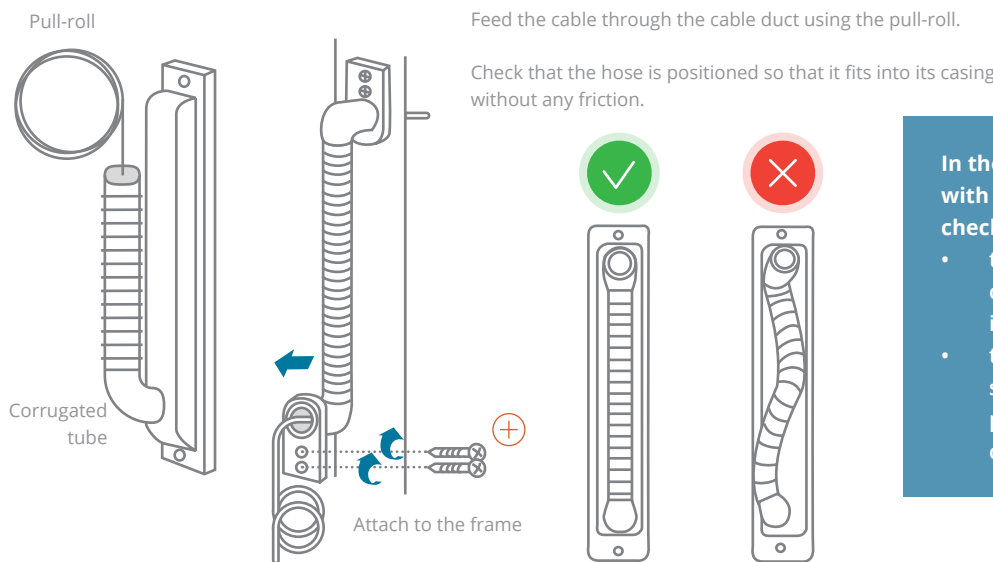
3



Install the leaf/leaves and tighten the hinge pin screws firmly.

4

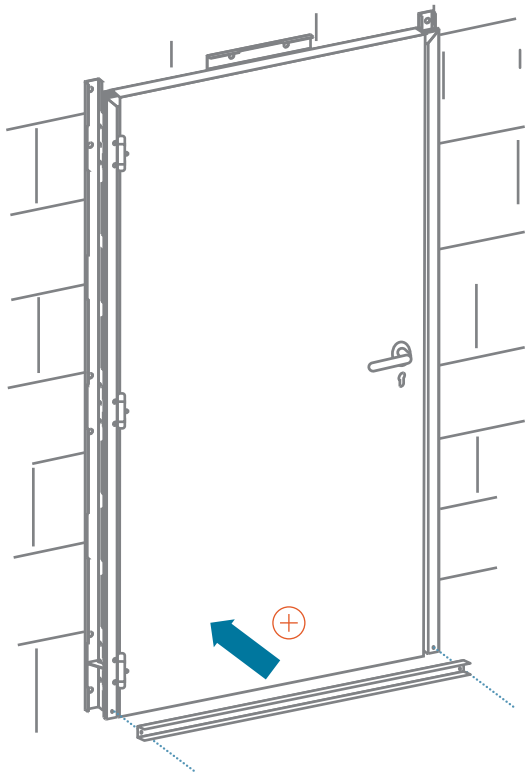
Door fitted with spring-loaded cable duct.



In the case of doors fitted with a cable duct, always check the following:

- that the sheath is correctly positioned in its sleeve;
- that the sheath has sufficient flexion for potentially replacing the cable in the future.

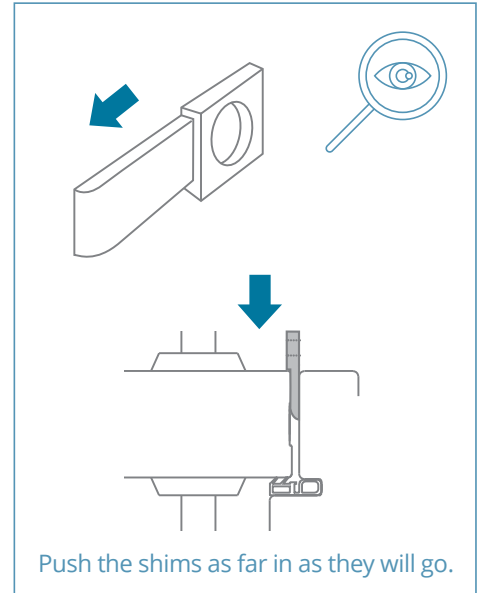
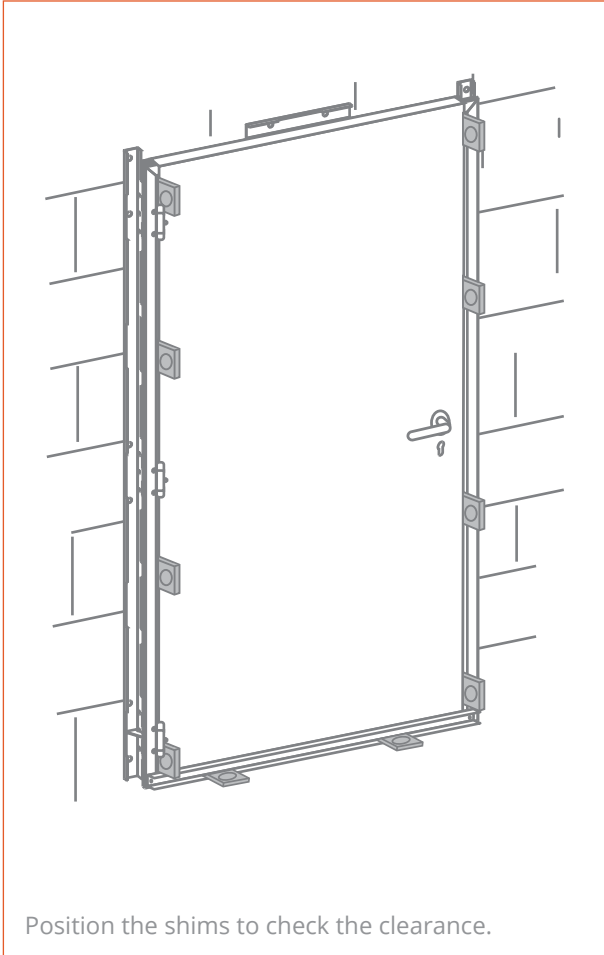
5



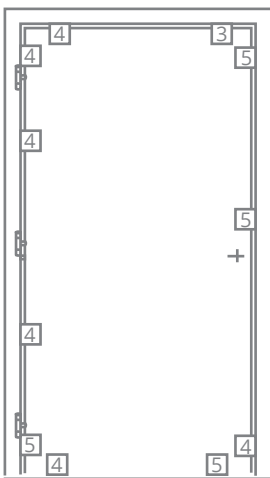
Replace the hinge-side spacer bar.

SHIMS

6

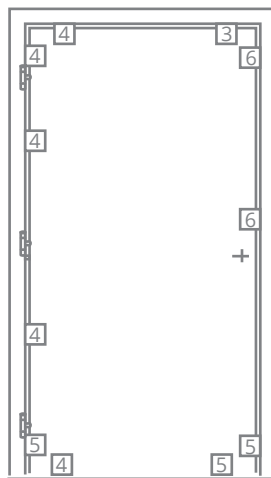


The type of single door kit (1/2) is calculated according to the doors and is indicated on the delivery note.



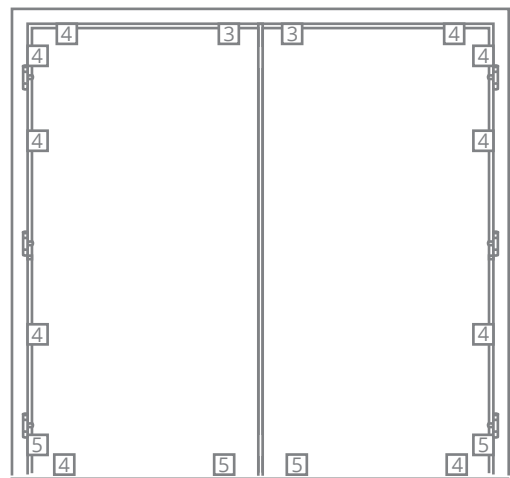
KIT 1 SINGLE DOOR

- 1 x 3 mm shim
- 6 x 4 mm shims
- 4 x 5 mm shims
- 0 x 6 mm shims



KIT 2 SINGLE DOOR

- 1 x 3 mm shim
- 5 x 4 mm shims
- 3 x 5 mm shims
- 2 x 6 mm shims

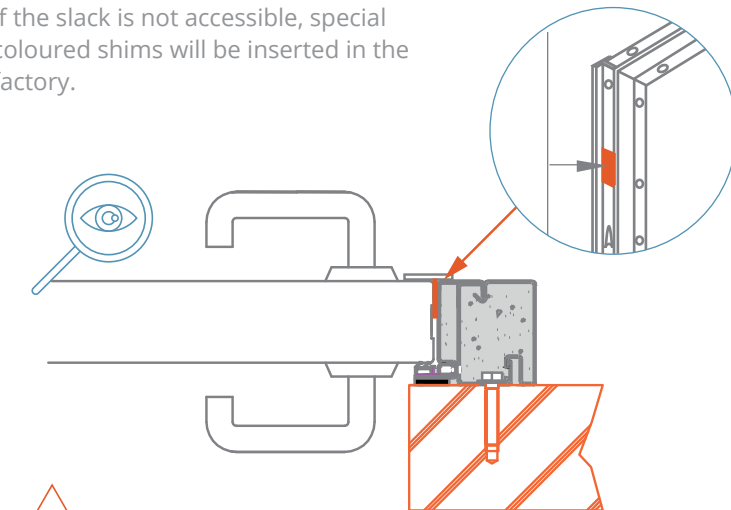


KIT DOUBLE DOOR

- 2 x 3 mm shims
- 10 x 4 mm shims
- 4 x 5 mm shims
- 0 x 6 mm shims

7

If the slack is not accessible, special coloured shims will be inserted in the factory.



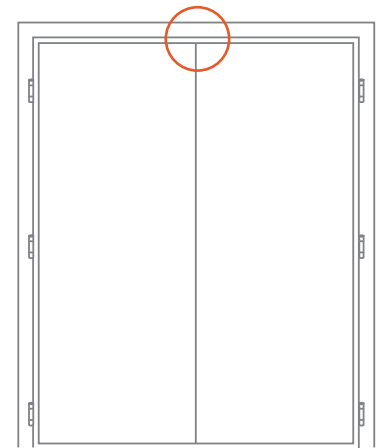
Must be removed once the sealing mortar has dried



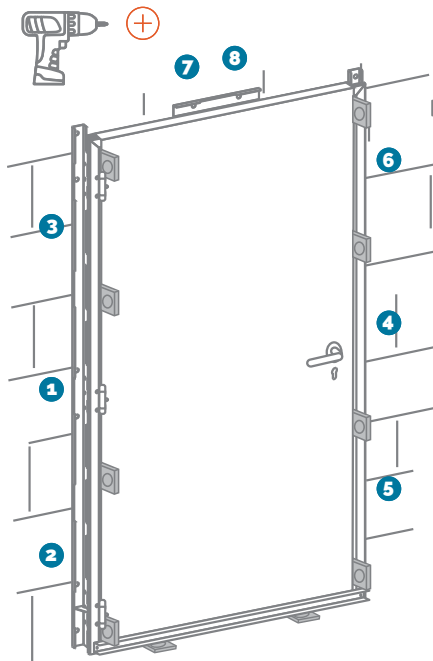
Not to be confused with any black shims on the semi-fixed leaf, which are not to be removed.



Check the adjustment and the alignment of the leaves in double doors.



8



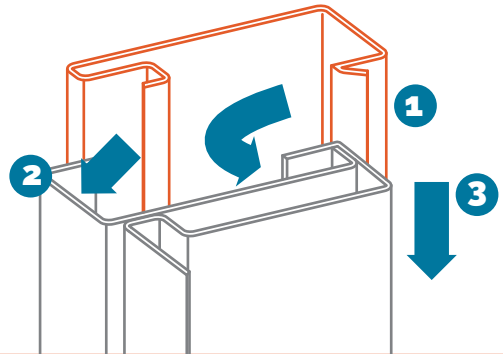
Permanently tighten the screws 4,5,6 on the lock side of the frame and 7 and 8 on the top profile.

INSTALLATION OF THE COVERS

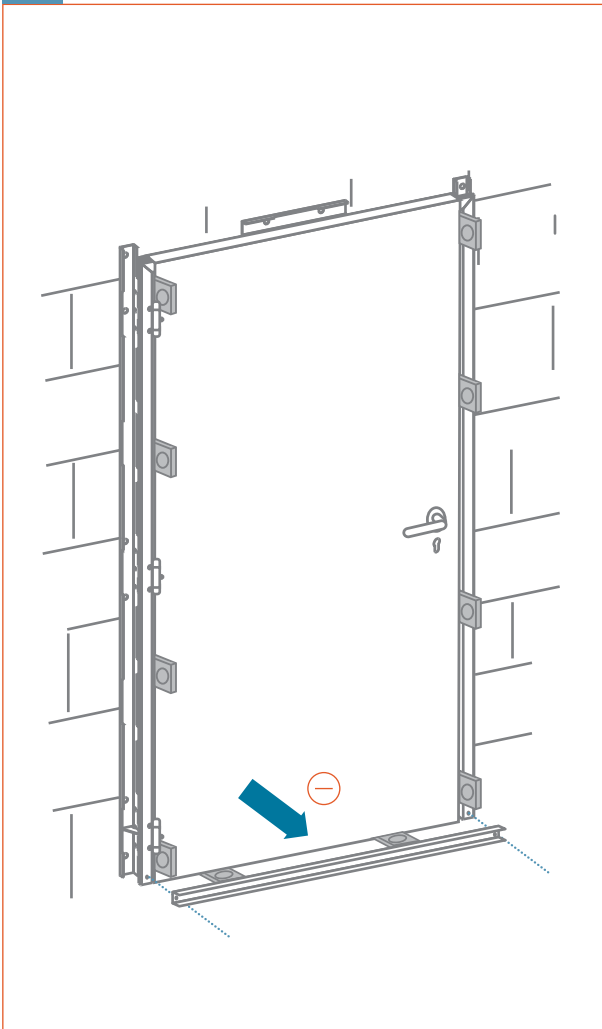


The vertical covers are installed in 3 stages:

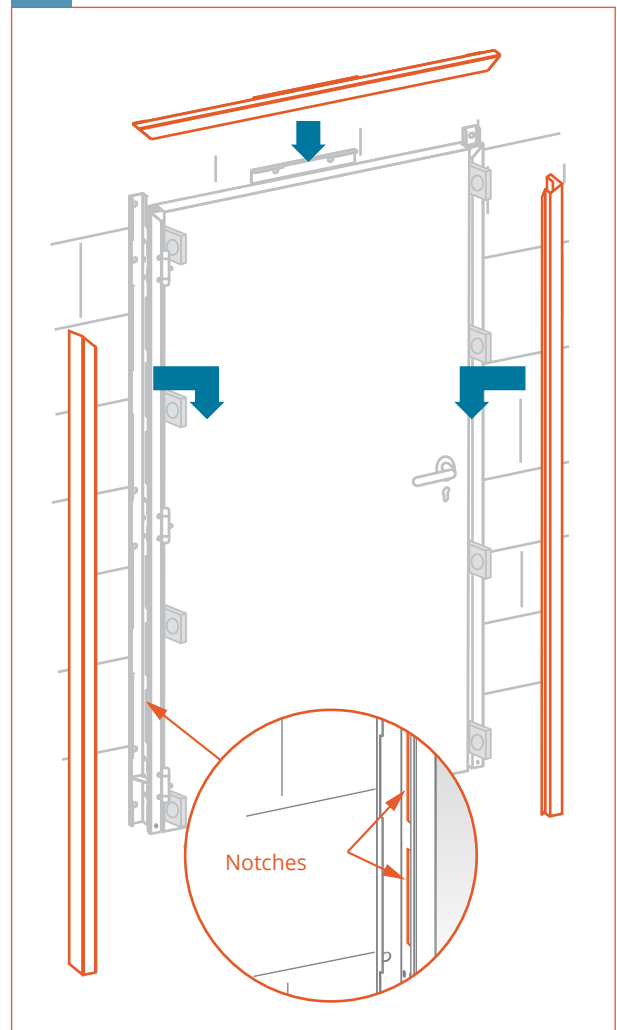
1. Insert the front of the cover into the notch
2. Insert the rear of the cover into the notch
3. Slide the cover down 8 cm
4. Replace the spacer bar



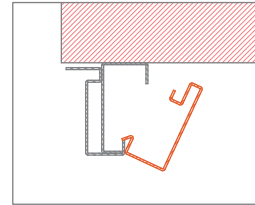
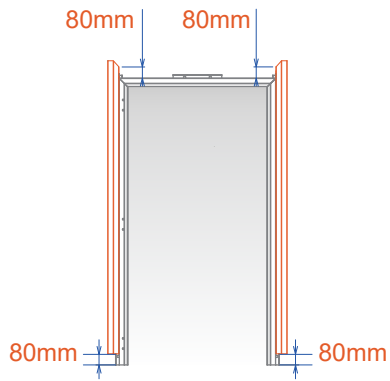
1



2

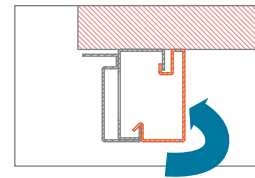
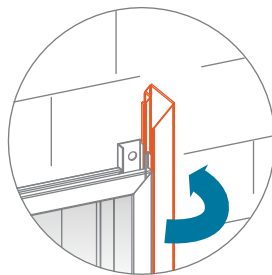
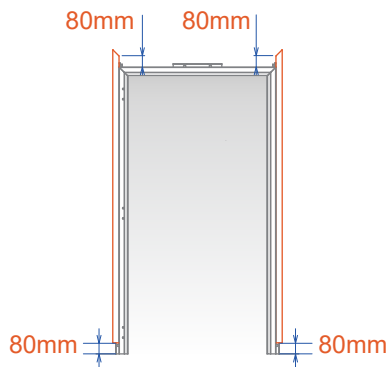


2a Step 1



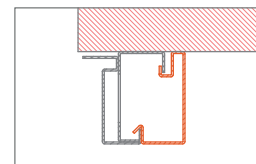
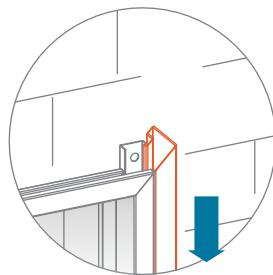
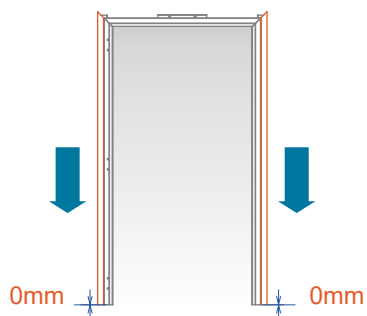
Position the vertical covers at an angle and 80 mm higher.

2b Step 2



Straighten the vertical covers.

2c Step 3

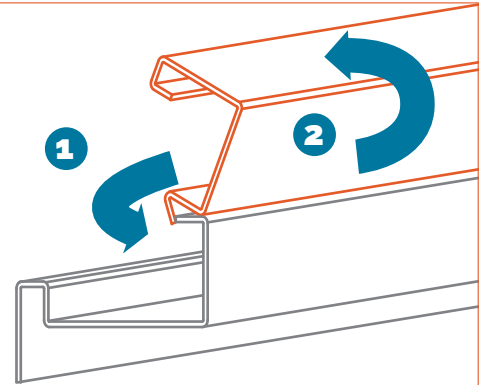


Slide the vertical covers down into the notches.

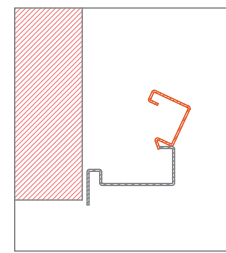
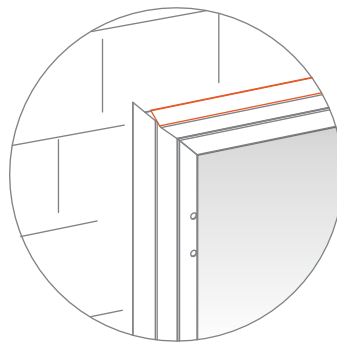
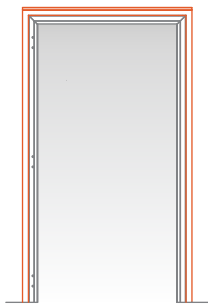


Horizontal covers are installed in 2 steps:

1. Insert the cover
2. Tilt the cover and attach the brackets

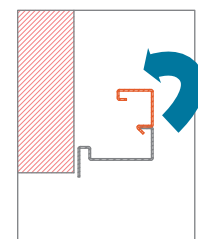
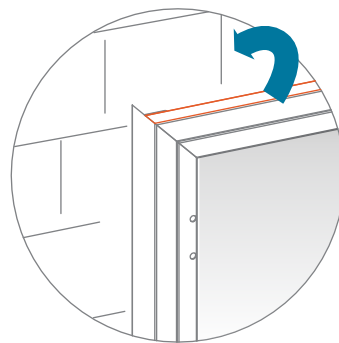
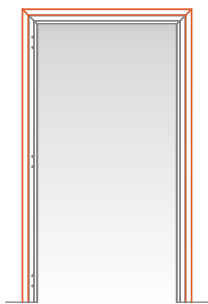


2d Step 1



Position the top cover at an angle.

2e Step 2

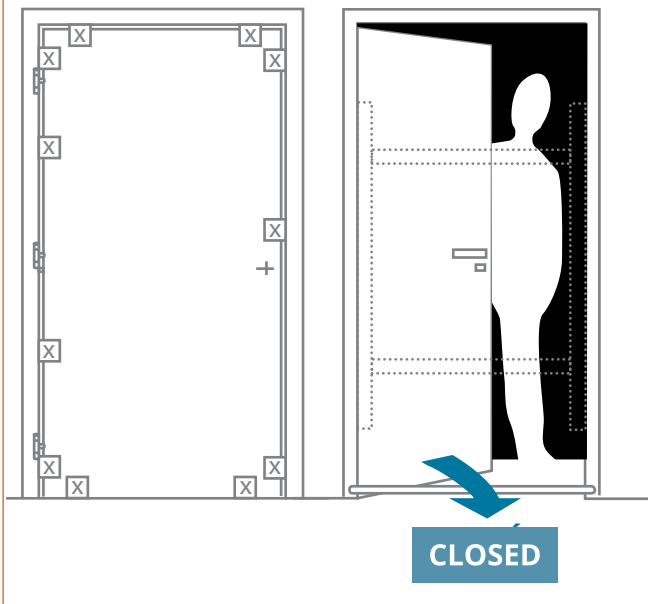


Straighten the top cover and fit the corner brackets.

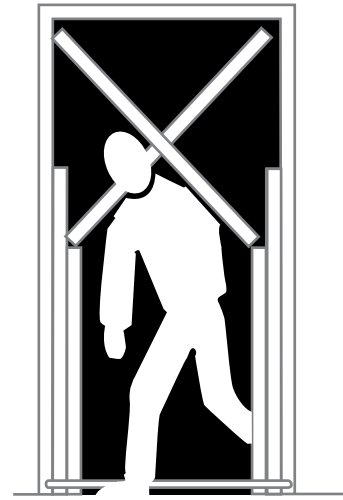
APPLYING THE SEALING MORTAR

1a Single door

Door closed (x = shims).

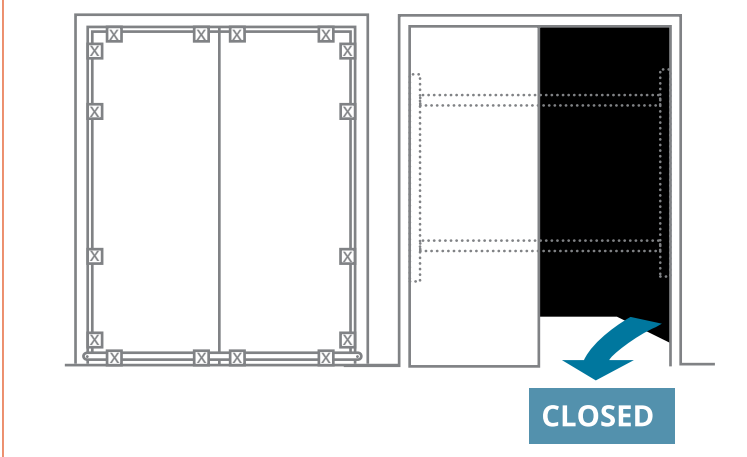


Door required to remain open.

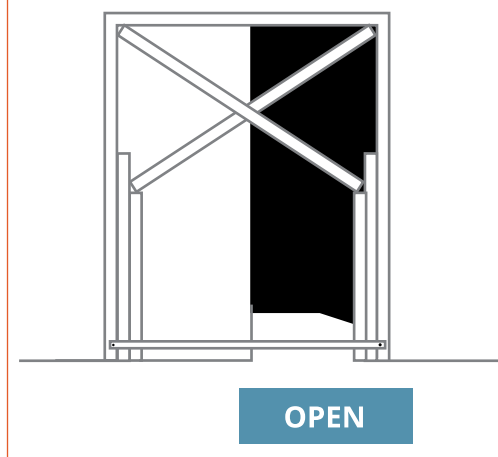


1b Double door

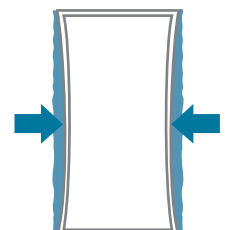
Door closed (x = shims).



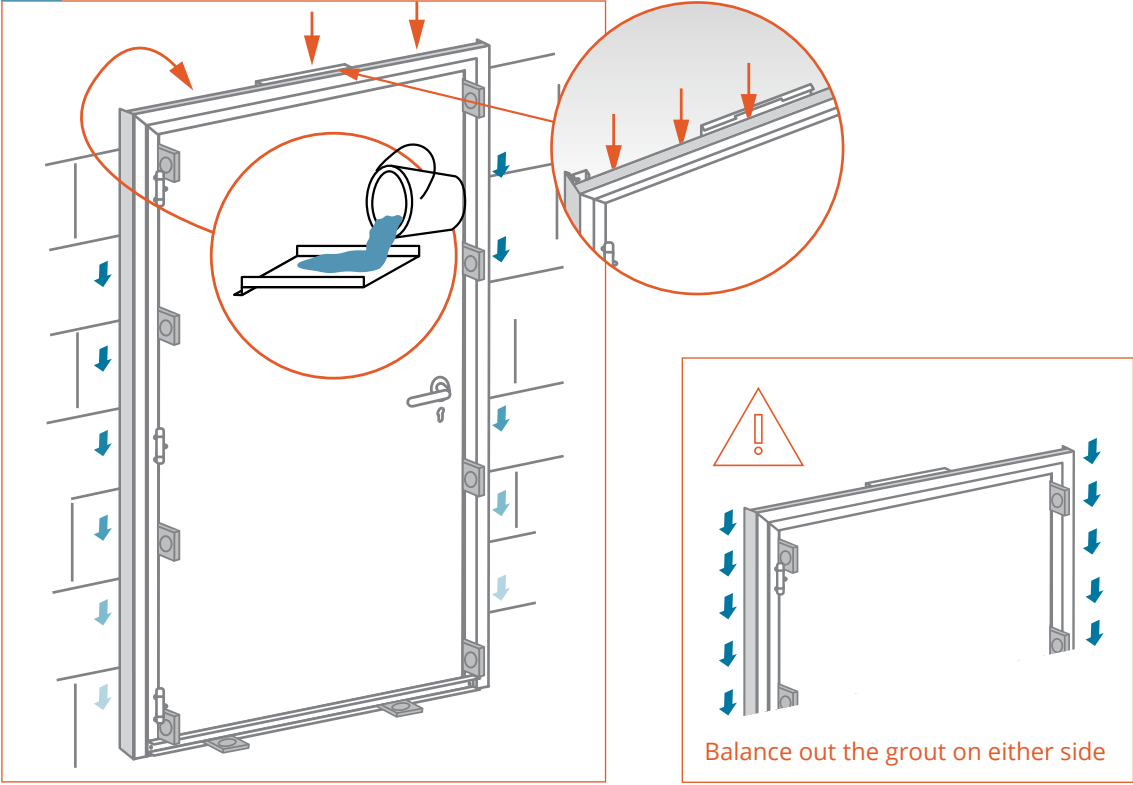
Door required to remain open.



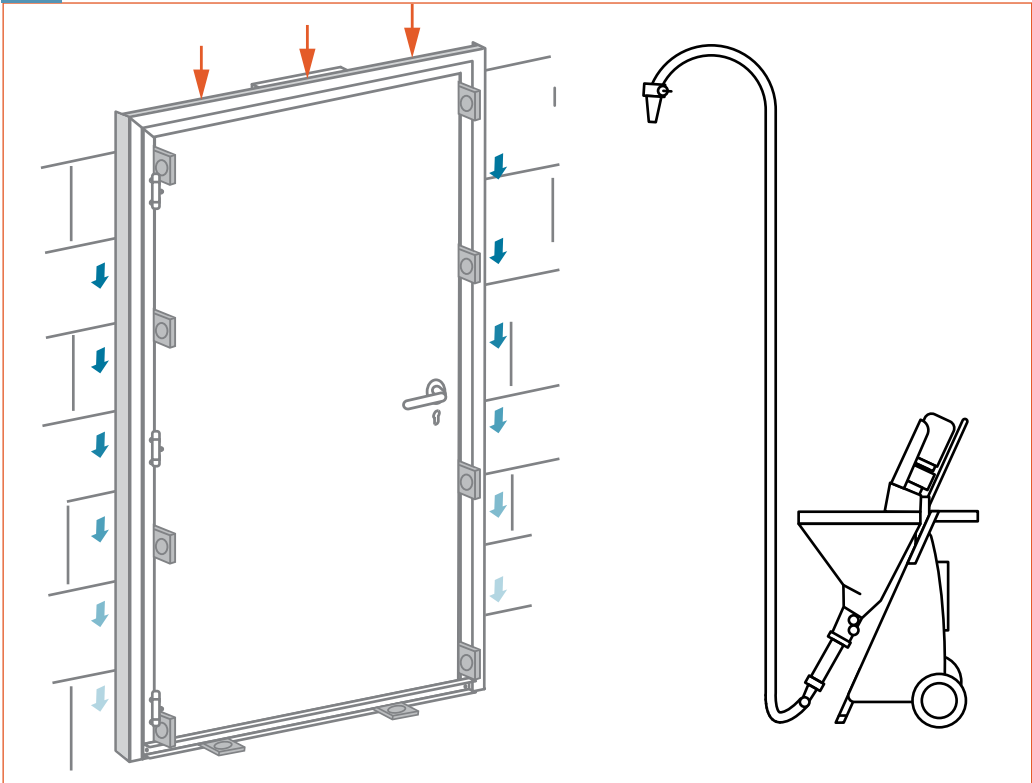
- Under no circumstances should the spacer bars at the bottom of the frame be removed.
- Always leave the shims long enough.
- Prop up where necessary to prevent the frame from bulging (essential when applying with the door open).
- The utmost care must be taken when propping up the frame.



2 Injecting the mortar manually

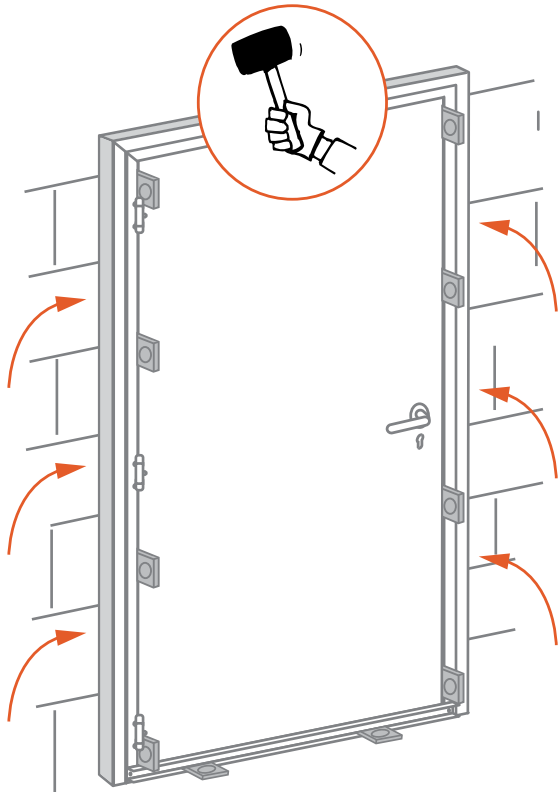


3 Injecting the mortar using a concrete pump

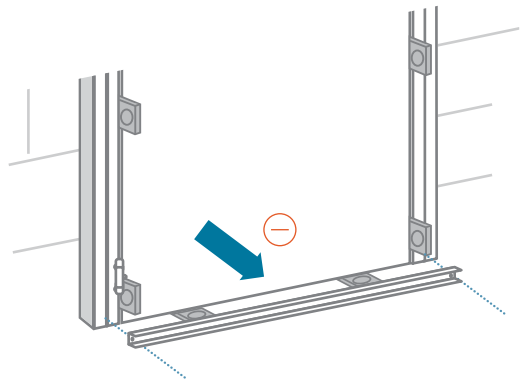
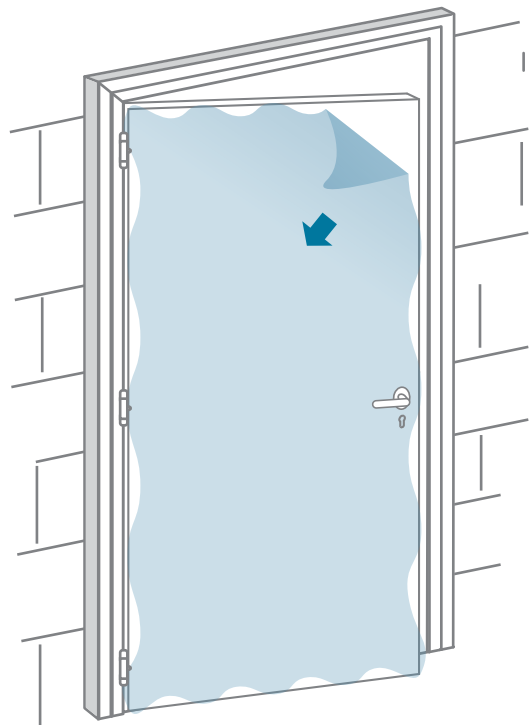


4

Tap the frame (using a rubber hammer) to ensure that the mortar is evenly distributed as it is applied.

**5**

Do not remove the caulking, props, shims or spacer bars until the mortar has set. The time this takes can vary depending on the type of mortar used.

**7**

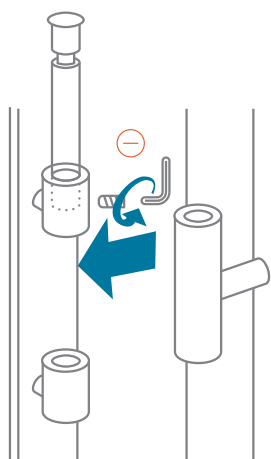
Remove the blue protective film from the leaf and remove any traces of concrete using a damp cloth.

ADJUSTING THE LEAF ONCE THE MORTAR HAS SET

HINGES

1

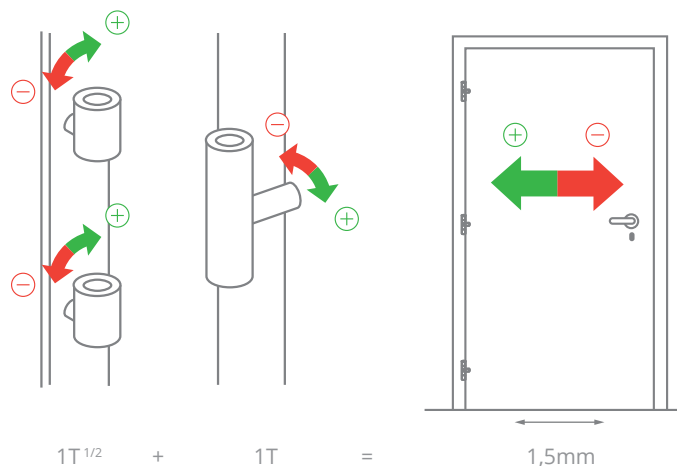
Loosen the screws on the hinge pins and remove the pins.



2

Horizontal adjustment

Turn the two corresponding hinge parts of the frame through one and a half turns (in the same direction) for each turn made to adjust the leaf hinge.



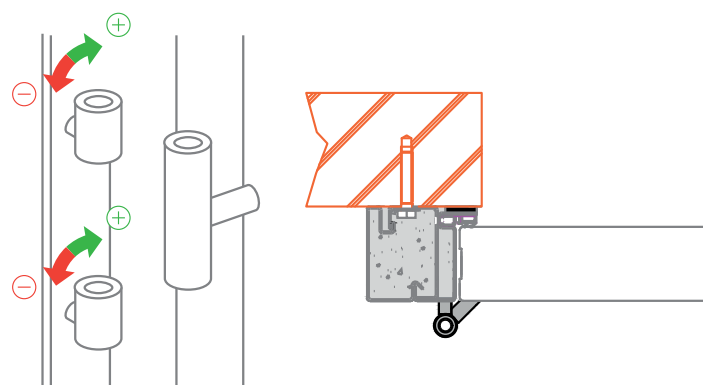
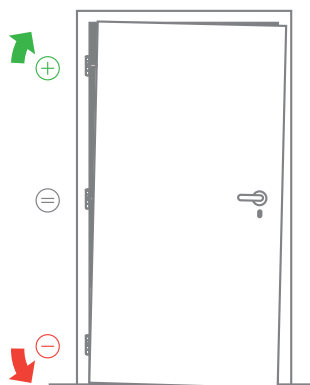
Clockwise: reduces the slack around the hinge.

Anti-clockwise: increases the slack around the hinge.

3

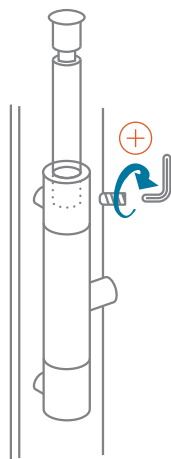
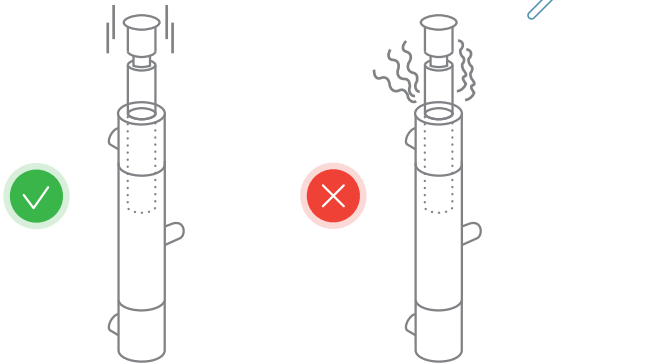
Compression adjustment

Straighten the door by adjusting each hinge individually if necessary.



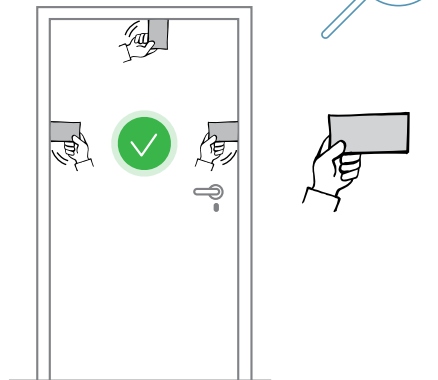
Only adjust the hinge parts of the frame. The compression of the lock surround can be adjusted using the striker plates (see chapter on striker plate adjustment).

The pins must engage easily.



Make sure that all hinge pin screws have been firmly tightened.

Tip and tip.
Business card test.

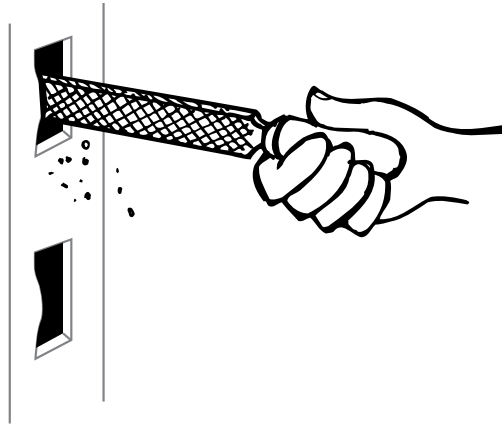


The business card should stick slightly.
Not a contractual requirement.

STRIKER PLATES

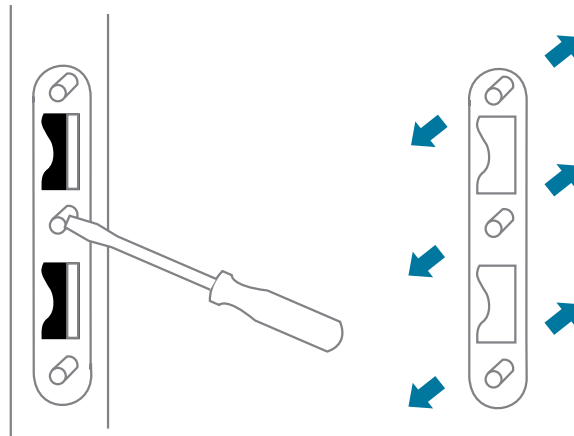
SINGLE DOOR

File down the rounded parts if more slack is required for the bolt and check that the bolt is fully engaged.

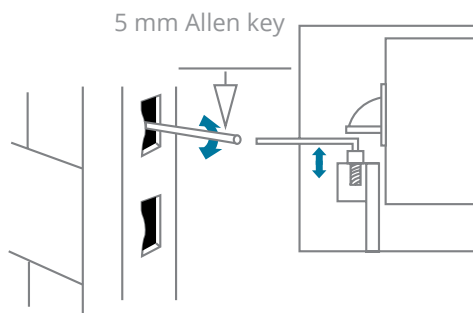


DOUBLE DOOR

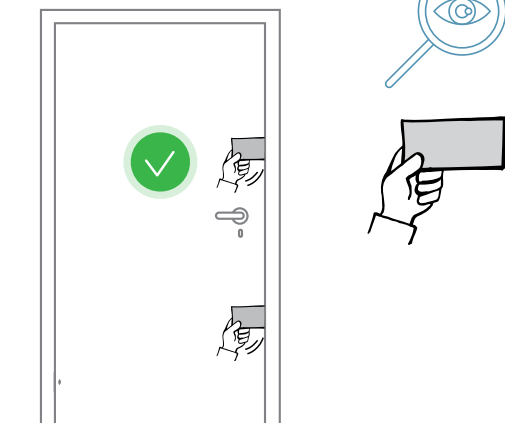
Semi-fixed leaf side.
Adjust to compress the rebate joints along the full height.



ADJUST IF THERE IS AN ADJUSTING SCREW



Business card test

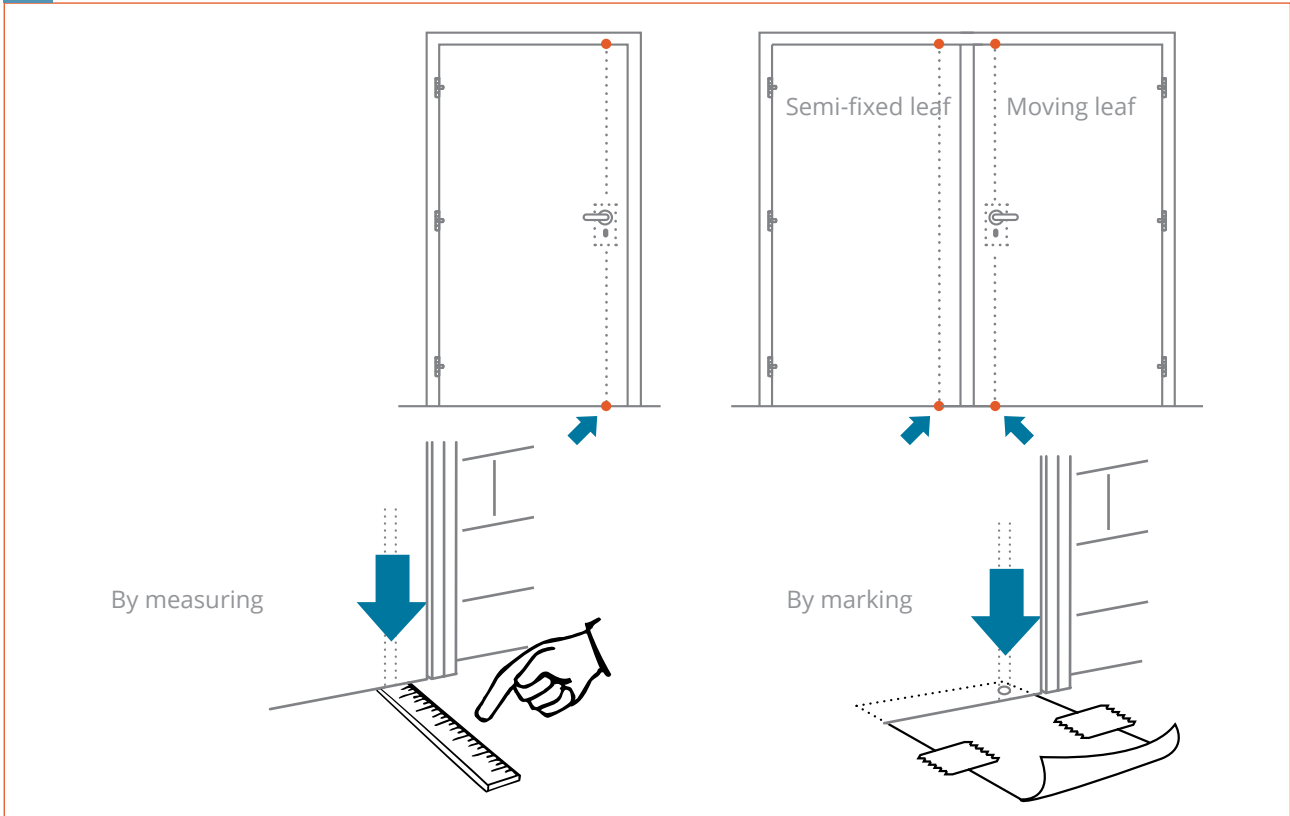


The business card should stick slightly.

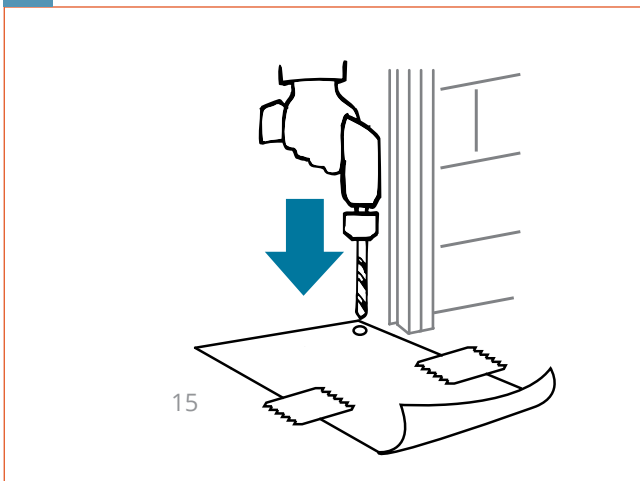
RODS

For bolts and 3-point locks

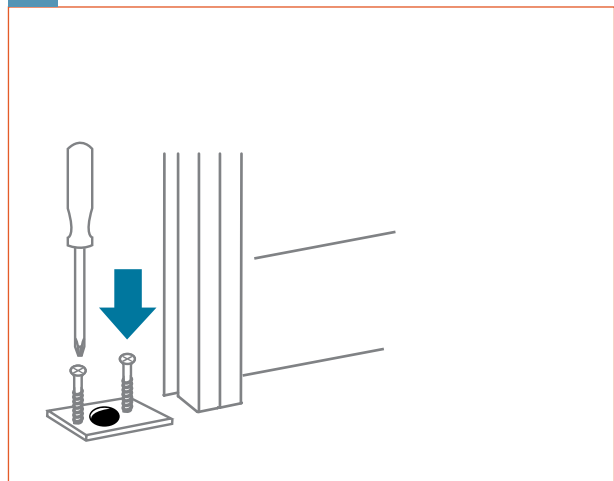
1 Mark on the floor



2 Drill



3 Attach the finger-plate



For automatic bolts on double doors:

the moving leaf can only be closed again once the housing hole has been drilled into the ground.

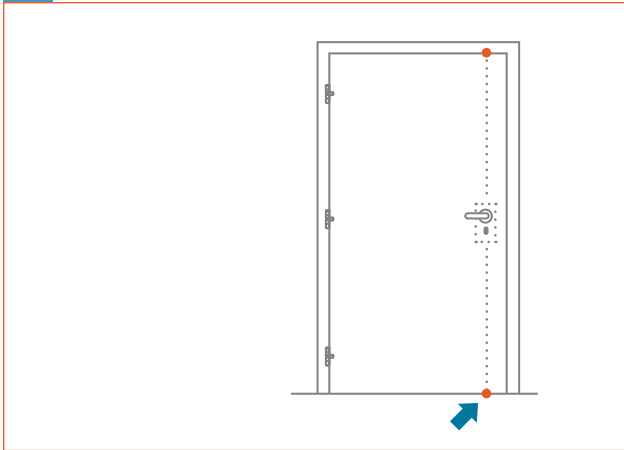
Ensure the following:

- that the rod does not rub against the striker plates; if it does, adjust it accordingly;
- that the automatic bolt is sufficiently sunken to ensure that the rods protrude by +/-15 mm, or else bring the leaves closer together by adjusting the hinges horizontally or raising the friction plate.

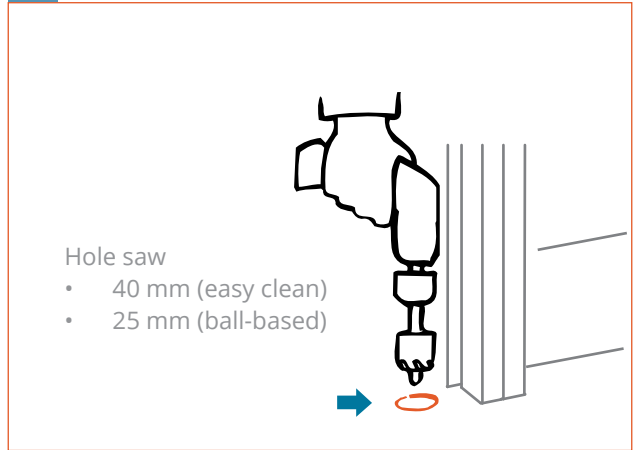
GROUND SOCKET



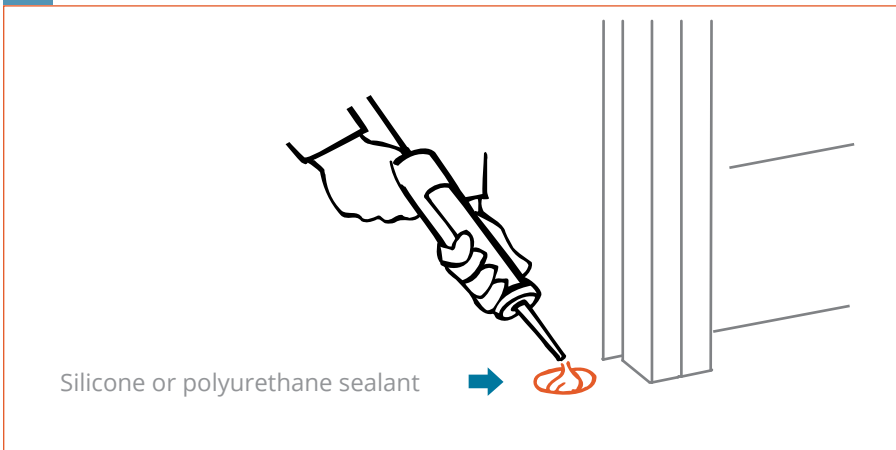
1 Mark on the floor



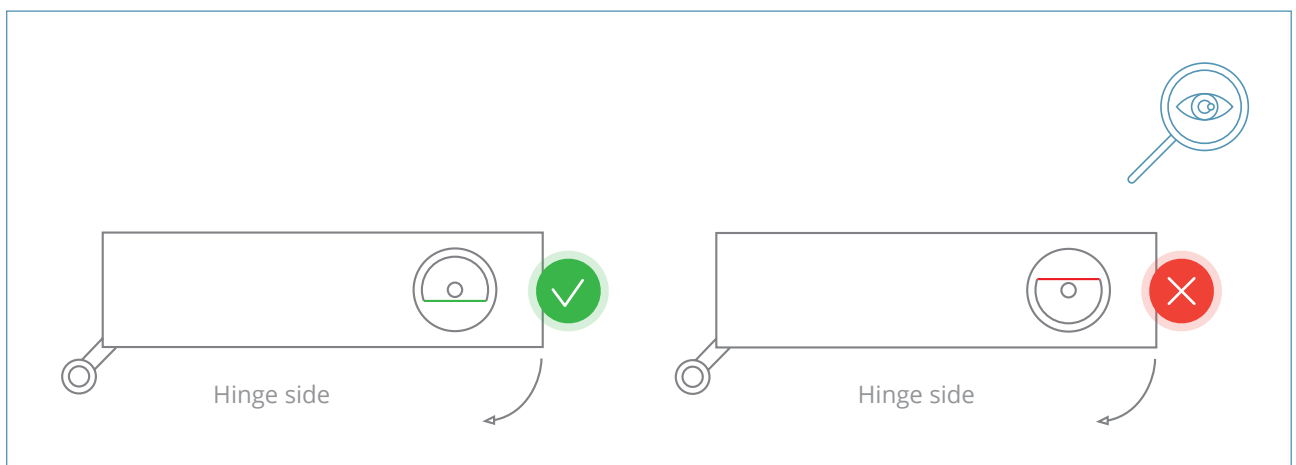
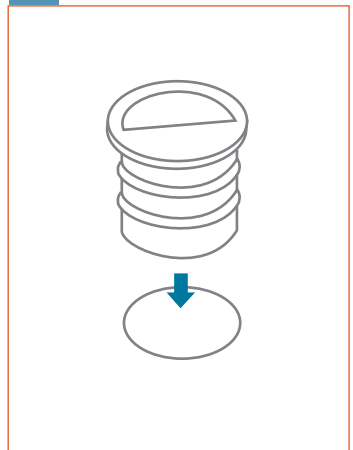
2 Drill



3 Seal

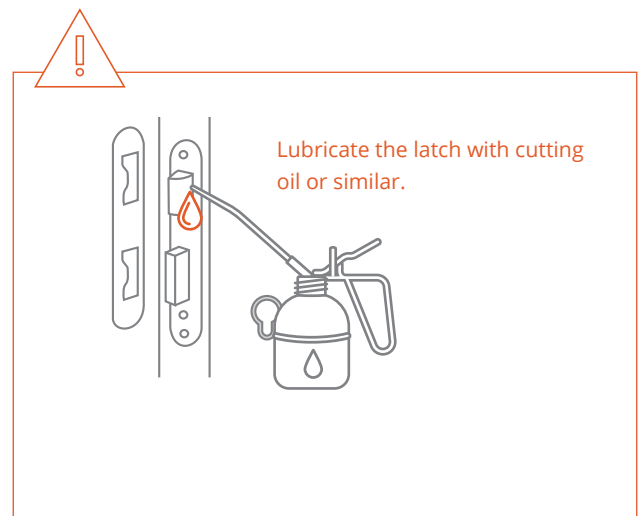
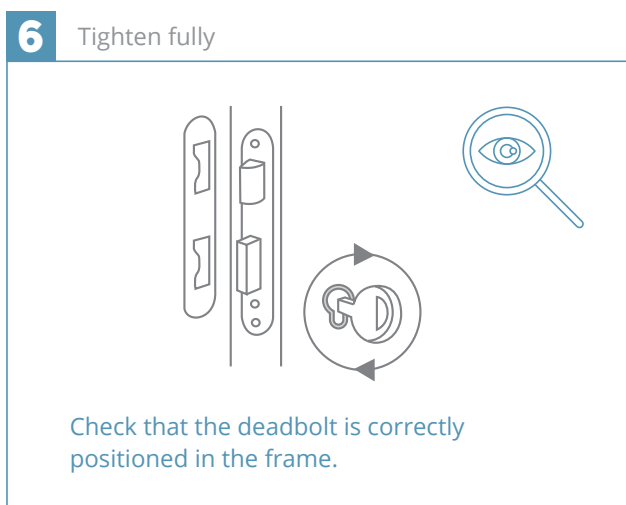
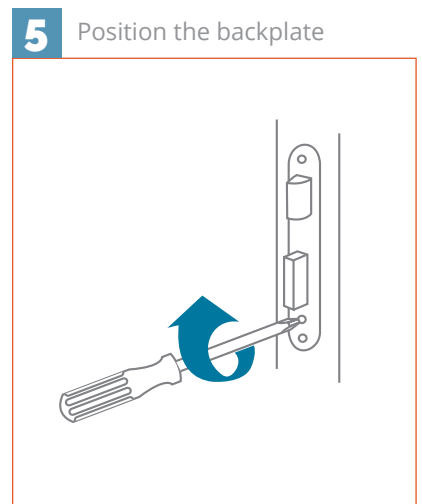
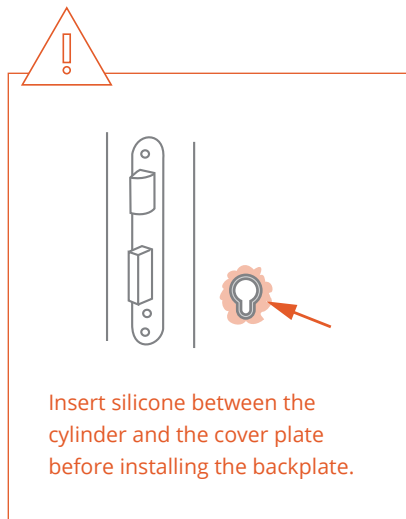
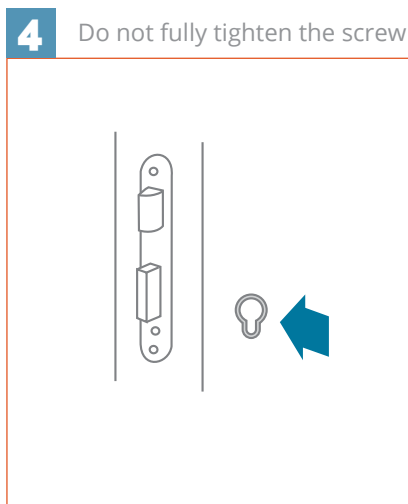
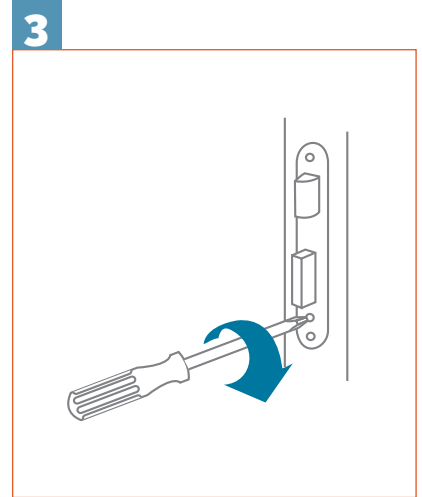
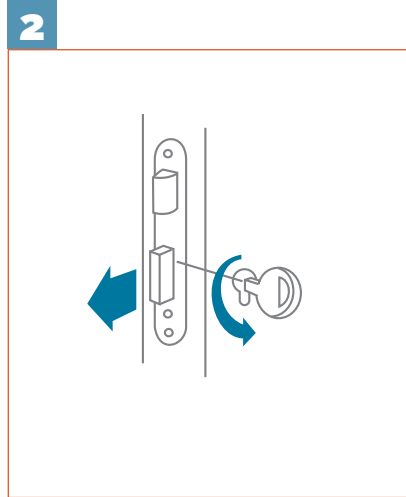
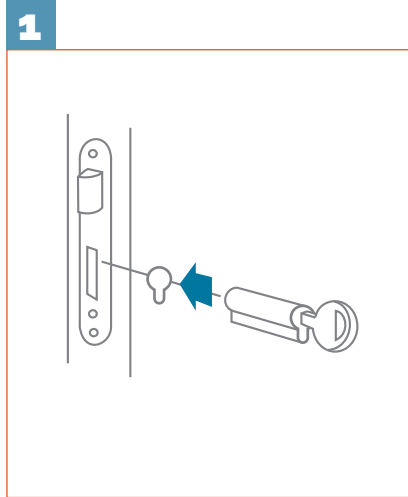


4 Sink



FITTINGS INSTALLATION

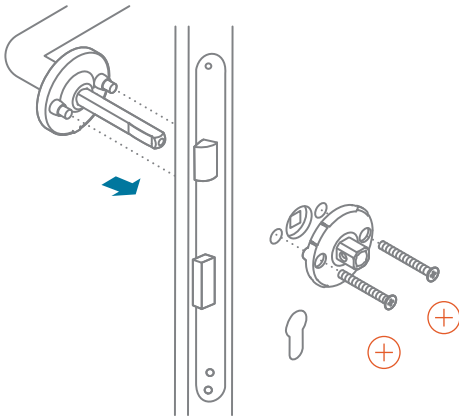
CYLINDER



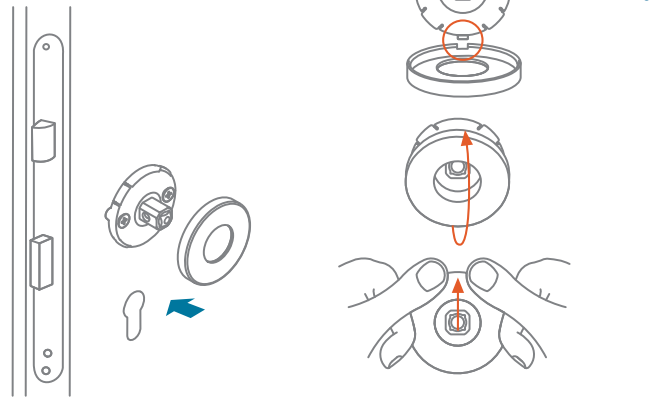
HANDLES

ASSEMBLY

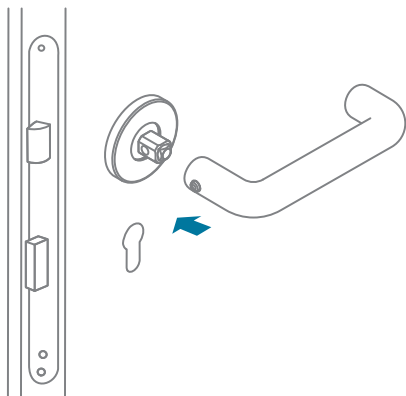
1 Secure by tightening the through screws firmly



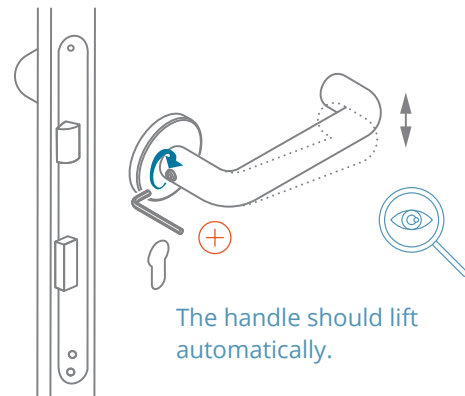
2 Clip on the backplate



3 Insert the handle profile

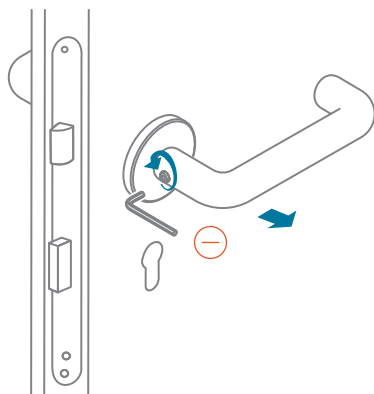


4 Tighten the set screws firmly

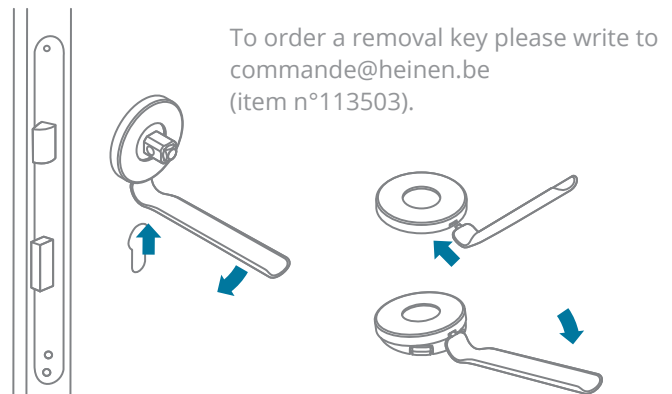


DISASSEMBLY

1 Loosen the set screws

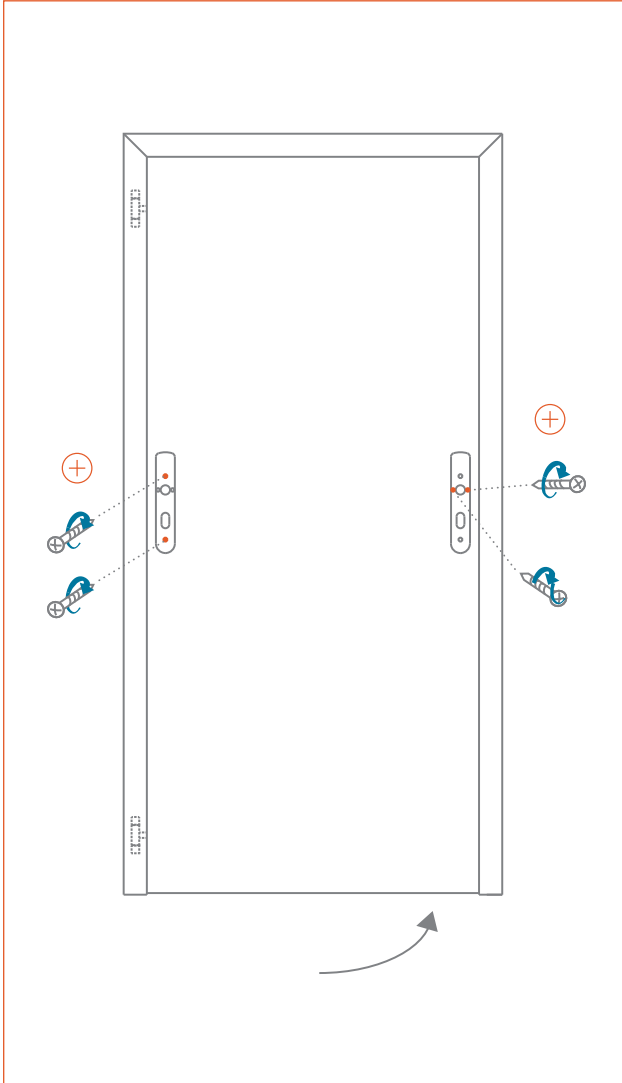


2 Unclip the backplates using a removal key



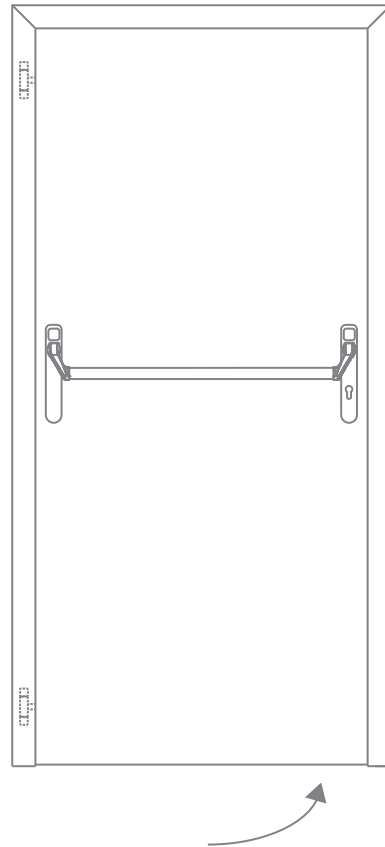
ANTI-PANIC BAR

1 Attach the spacers



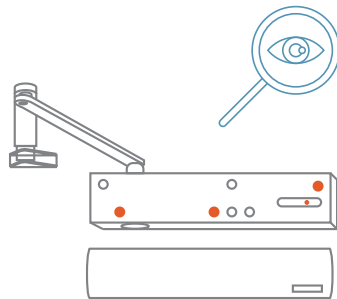
2

Install the panic bar on the spacers in accordance with the supporting documentation for the panic bar.

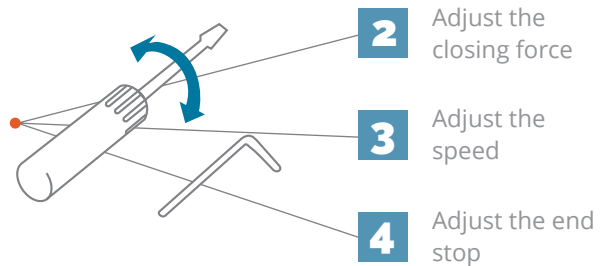


DOOR CLOSER

1 Check that it functions just as it should and that the leaf is balanced.



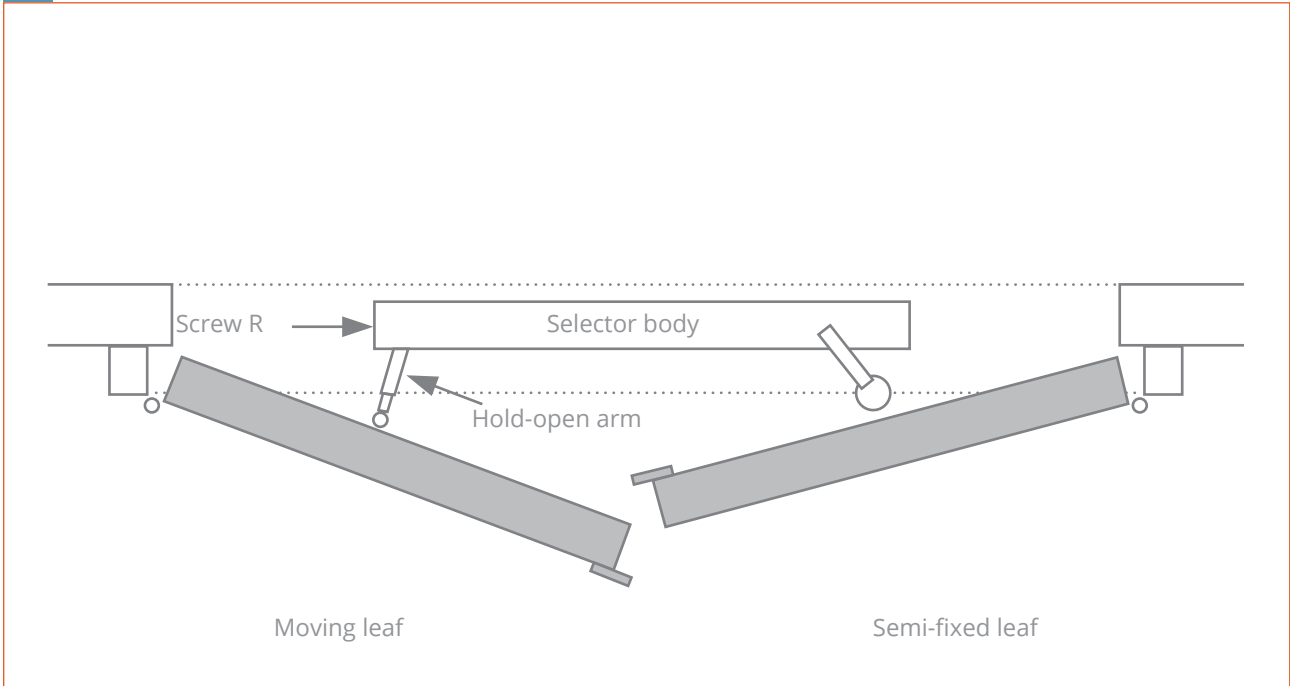
ADJUST AS REQUIRED



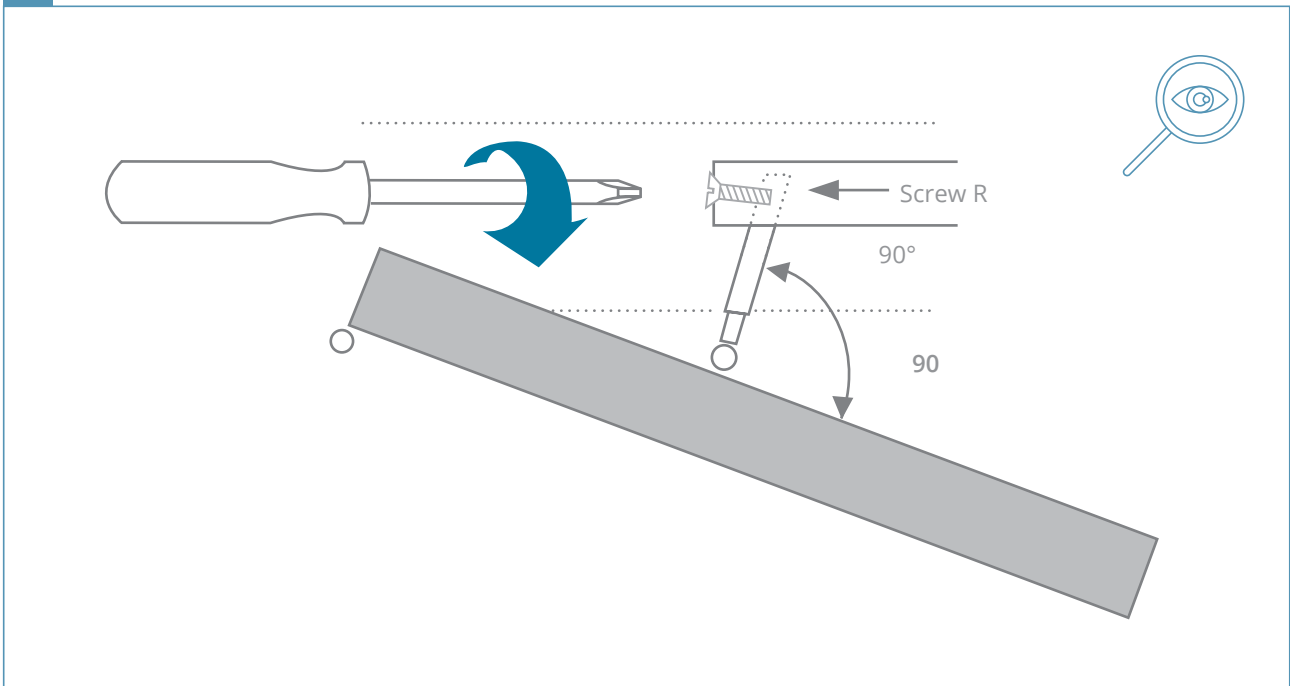
Refer to the supporting documentation for the installed door closer.

CLOSURE SELECTOR

- 1 The semi-fixed leaf must close before the moving leaf



- 2 Check that the hold-open arm is perpendicular to the moving leaf



FINAL CHECK AND FINISHING



- Check that the screws are tightly fastened.
- Clean with a damp cloth.
- Do not clean with water or a pressure washer.



Use a Loctite 243-type threadlocker for the handle screws.



1. GENERAL TERMS

Unless otherwise stated, the 15-year warranty applies to all Heinen Metal + door blocks installed with the installation clamps and mortar filling. A 10 year guarantee applies to all door blocks installed by screwing, without concrete filling. The guarantee covers the mechanical stability of the door block and the seals. For glazing, hardware and other equipment, the warranty is limited to one year unless otherwise specified by the manufacturer.

2. CONDITIONS

The warranty is subject to:

1. the respect of the installation instructions as described in the appropriate Heinen installation manual;
2. use of the product in the context of normal use;
3. a clearly legible serial number (only valid for doors produced after Sept. 2016);
4. storage and assembly protected from the weather and in a dry environment;
5. the absence of any mention limiting or cancelling this warranty in the price offer or order confirmation.

3. EXCLUSIONS

Damage related to:

- an accident, abnormal use or caused by forced entry and/or vandalism;
- using harsh products (caustic cleaning products, road salt, etc.);
- corrosion or exposure to extreme weather conditions (flooding, storms, etc.);
- using a large quantity of water or using a high-pressure cleaner.

The warranty will be cancelled:

- if the door set has been fitted with locks, accessories or other fittings which have not been supplied by Heinen or have been imposed by the customer and not approved by Heinen;
- if the door set is modified and/or has fittings from a third party;
- if malfunctions occur linked to fitting the door set and/or hardware incorrectly.

4. LIABILITY LIMIT

If the Customer has suffered damage as a result of defects in the goods supplied by HEINEN DOORS BELGIUM, incorrect deliveries and/or deviations in quantities, the liability of HEINEN DOORS BELGIUM, without prejudice to what is stipulated in Article 10 of the General Terms and Conditions of Sale, is limited to the replacement of the missing or defective parts or the payment of the equivalent value of the price of the goods delivered, regardless of the amount of the damage suffered. In no event shall HEINEN DOORS BELGIUM be liable for indirect, incidental or consequential damages, such as, but not limited to, loss of business, loss of profits, additional costs, loss of turnover.

Heinen reserves the right to replace defective parts by parts with a slightly different design.



www.heinen-doors.com