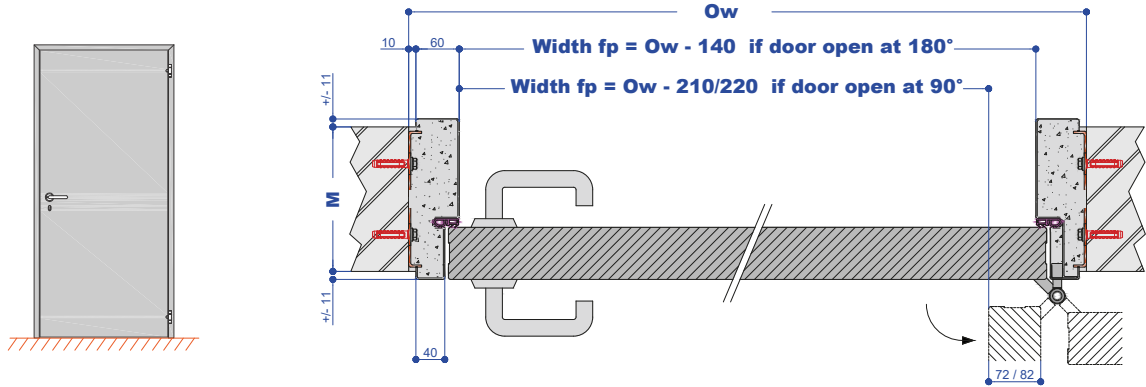


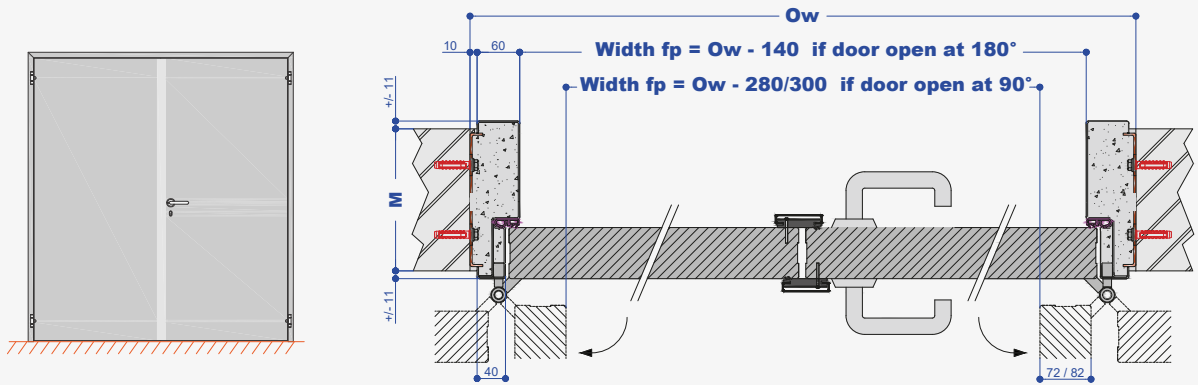
# HINGED DOORS CROSS-SECTIONS AND DIMENSIONS

**DOHE 004** - Wall and doorleaf dimensions, free passage calculation and glazing sizes  
 - Installation with welded clamps and mortar filling

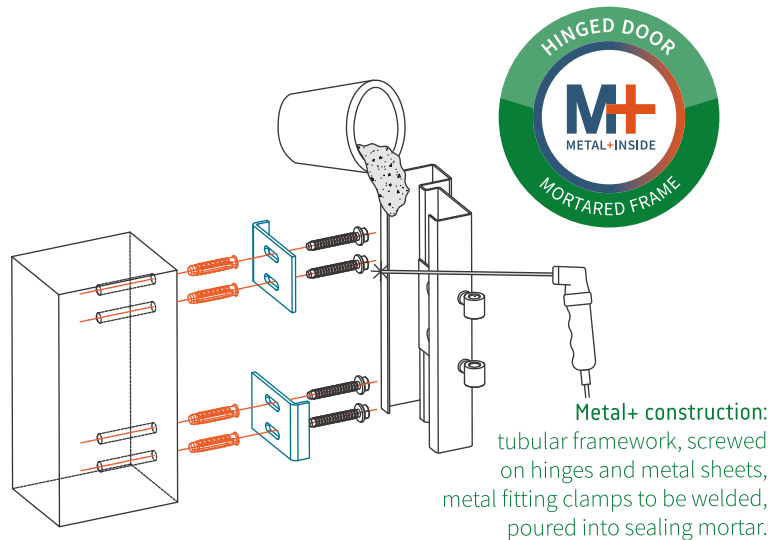
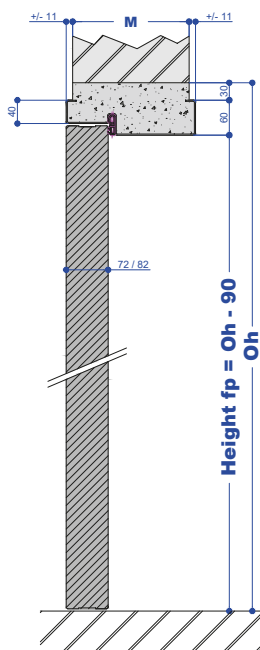
## WIDTH FREE PASSAGE: SINGLE DOOR *(with frame adaptable to the wall thickness)*



## WIDTH FREE PASSAGE: DOUBLE DOOR *(with frame adaptable to the wall thickness)*



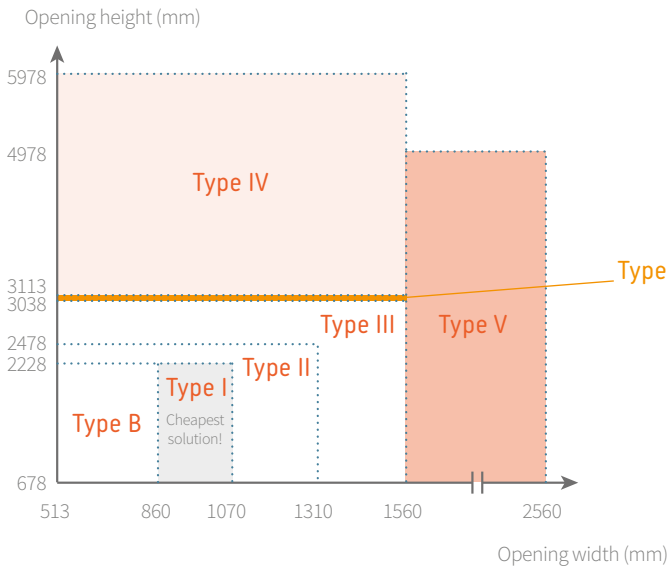
## HEIGHT FREE PASSAGE: SINGLE & DOUBLE DOORS *(with frame adaptable to the wall thickness)*



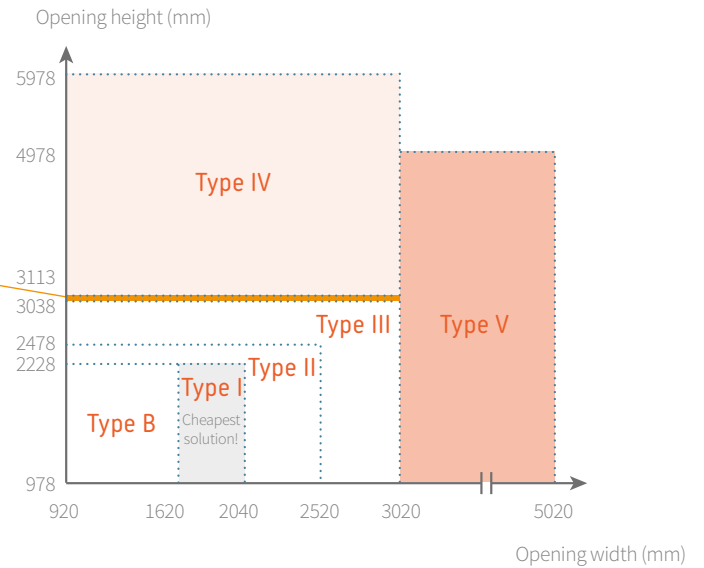
REMARKS: The principle of these section drawings is valid for almost all our swing doors. The standard thickness of the doorleaf is 72 mm. The fireproof doors EI1 60 have a thickness of 82 mm! For doors with exceptional performance features such as fireproof doors EI1 120 and HCM 120/EI2 240, two-way doors, burglary resistance doors RC4 and RC5, ... other section drawings are available, see: [www.heinen-doors.com](http://www.heinen-doors.com).

## WALL OPENING DIMENSION *(always tailormade)*

### Single door



### Double door



NOTE: The dimension area Type I is always the most economical solution!

## DOOR LEAF DIMENSION *(always tailormade)*

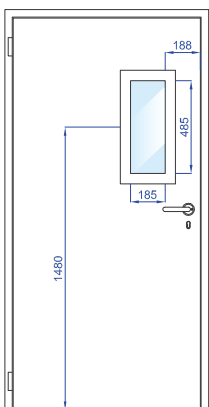
Maximum size door leaf Type I: 960 x 2150 mm  
 Maximum size door leaf Type II: 1200 x 2400 mm  
 Maximum size door leaf Type III: 1450 x 2960 mm  
 Maximum size door leaf Type III.3: 1450 x 3035 mm

The maximum size of a door set depends on its performance features and design (e.g. fireproof, burglary resistance, soundproof, glazed or ventilated, ...). Contact us or consult our technical data sheets to obtain these dimensions.

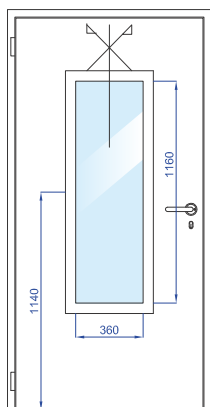
## HEINEN GLAZING RANGE *(standard and custom dimensions)*

The maximum size of the glazing depends on the performance features of the door (e.g. fireproof, burglary resistance, soundproof, ...). Contact us or consult our technical data sheets to obtain these dimensions.

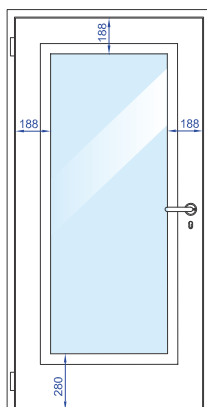
### Type 1



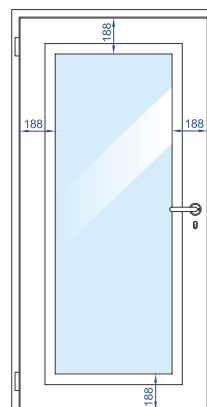
### Type 2



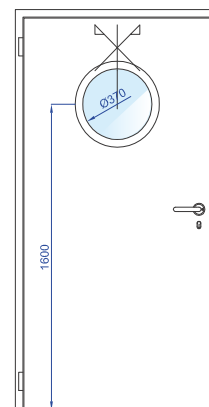
### Type 3



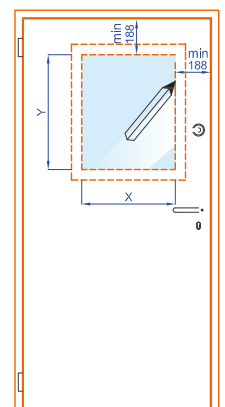
### Type 4



### Type R



### Customised



NOTE: In case of a «Customised» glazing order, you may specify both the size and positioning of the glazing.

[www.heinen-doors.com](http://www.heinen-doors.com)

For BIM files, please consult us. Our products are certified **CE**

Heinen product sheet | Swing doors section drawings et dimensions | 2024-08-24\_V17EN

Copyright © Heinen 2024 | Non-contractual document.